

Kleuren / Farben / colors:

H = Humbrol

R = Revell

***** = a lot

* = a little

WT - White

• H34 / R5

BK - Black

• H33 / R8

CE - Cement / Concrete

• H34*** + 33* + 110*

• R5*** + 8* + 86*

BR - Brick Red

• H70 / R37

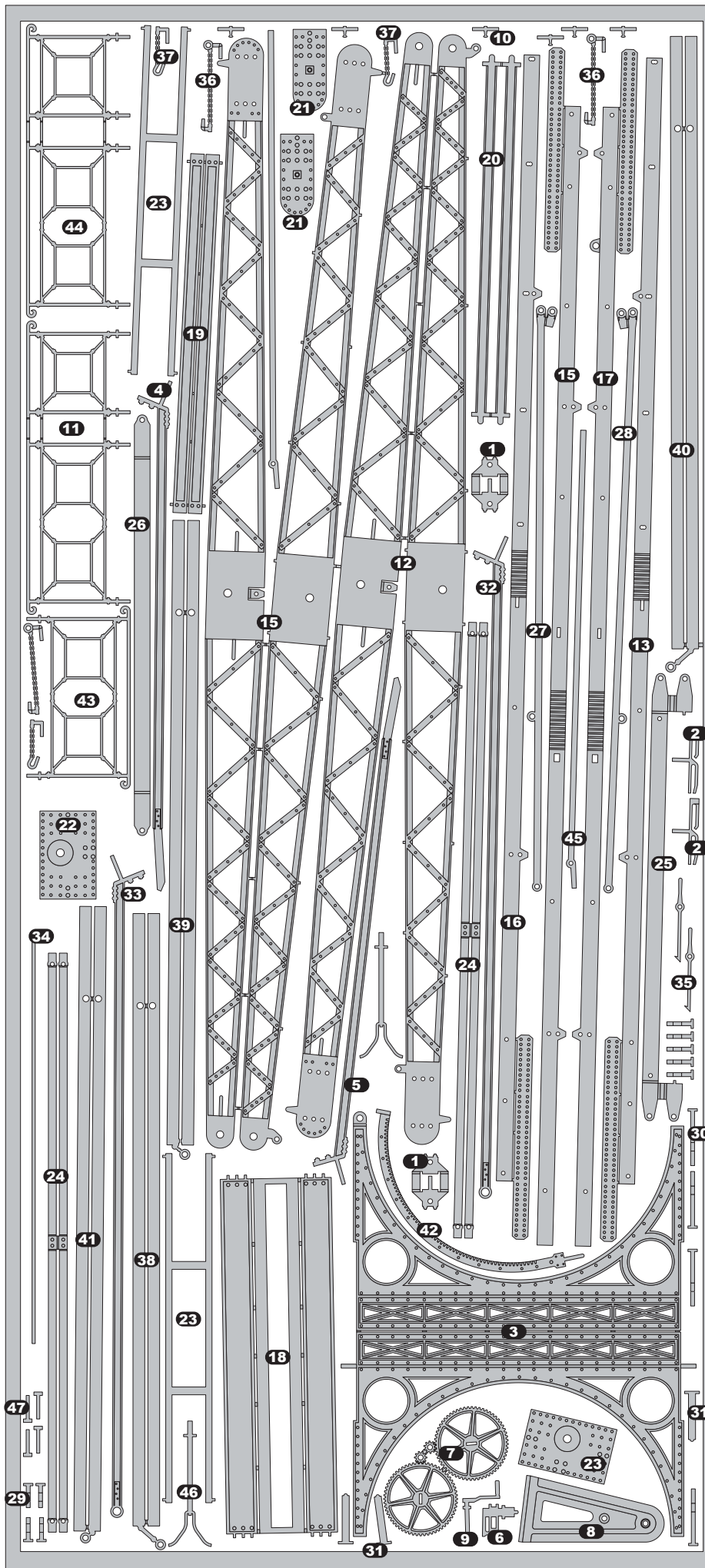
NW - Natural Wood

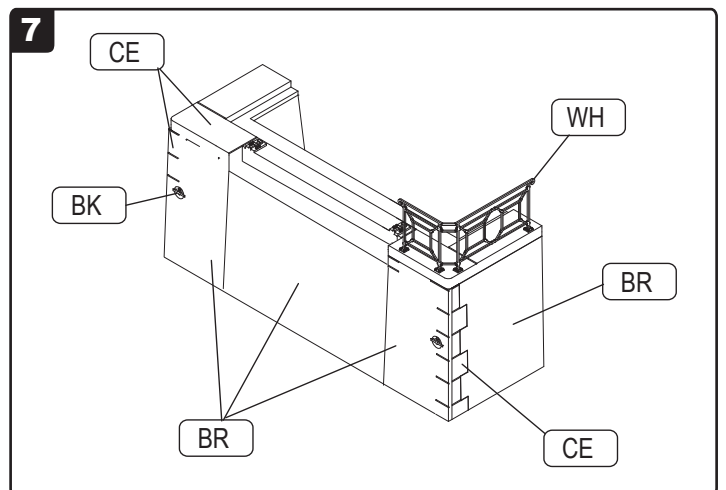
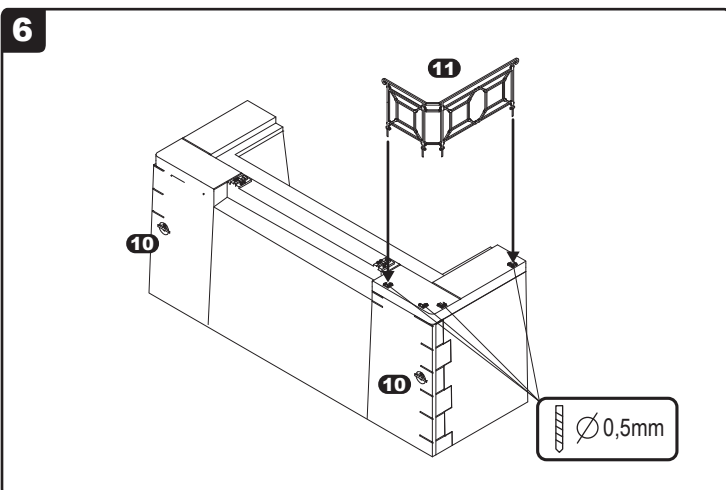
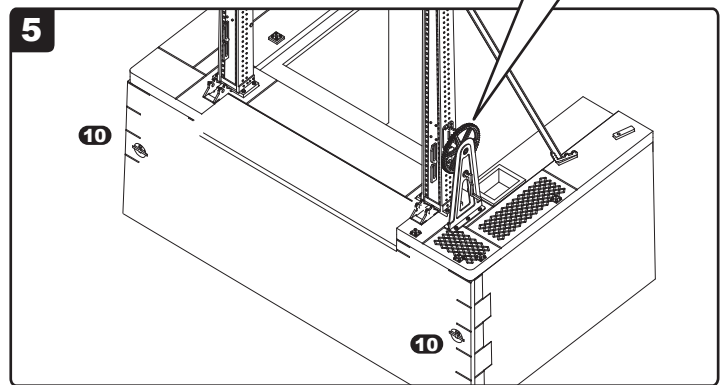
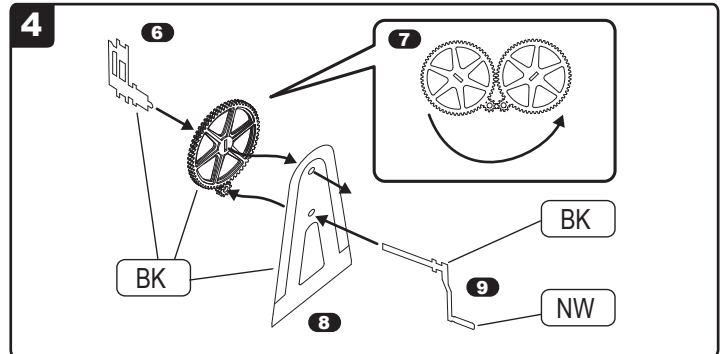
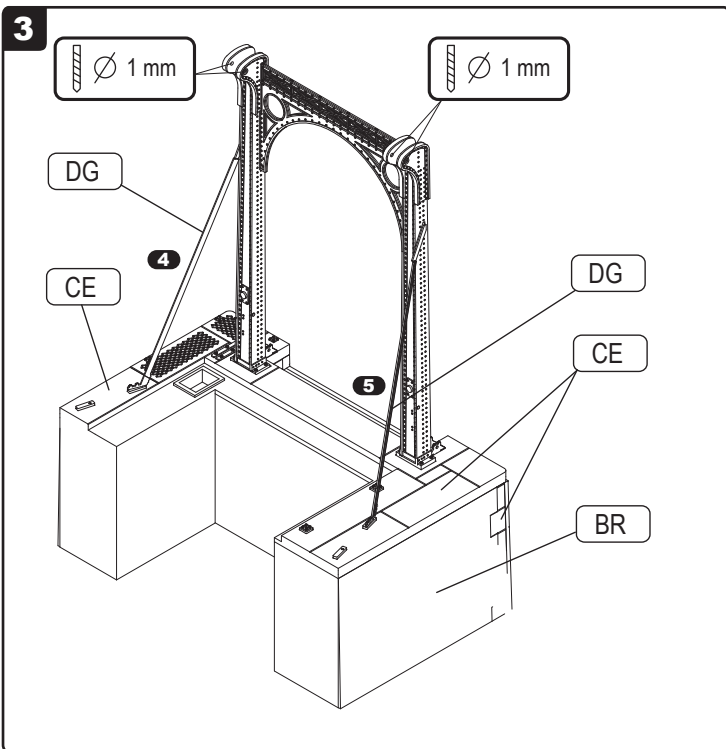
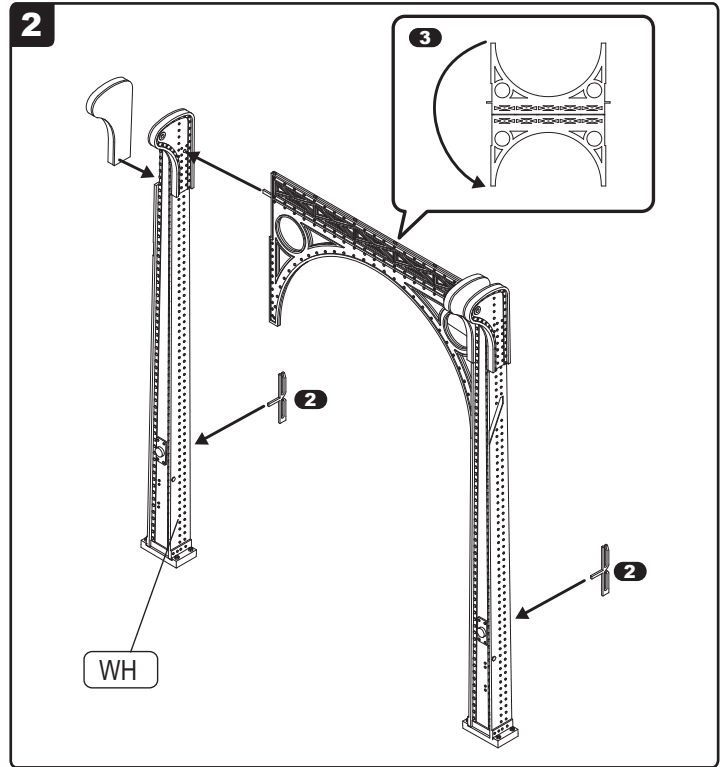
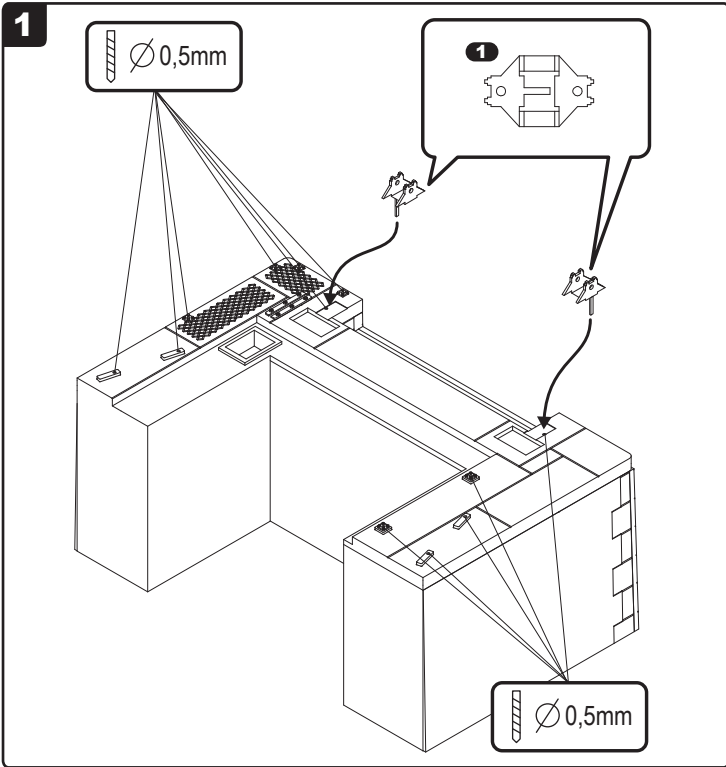
• H110 / R86

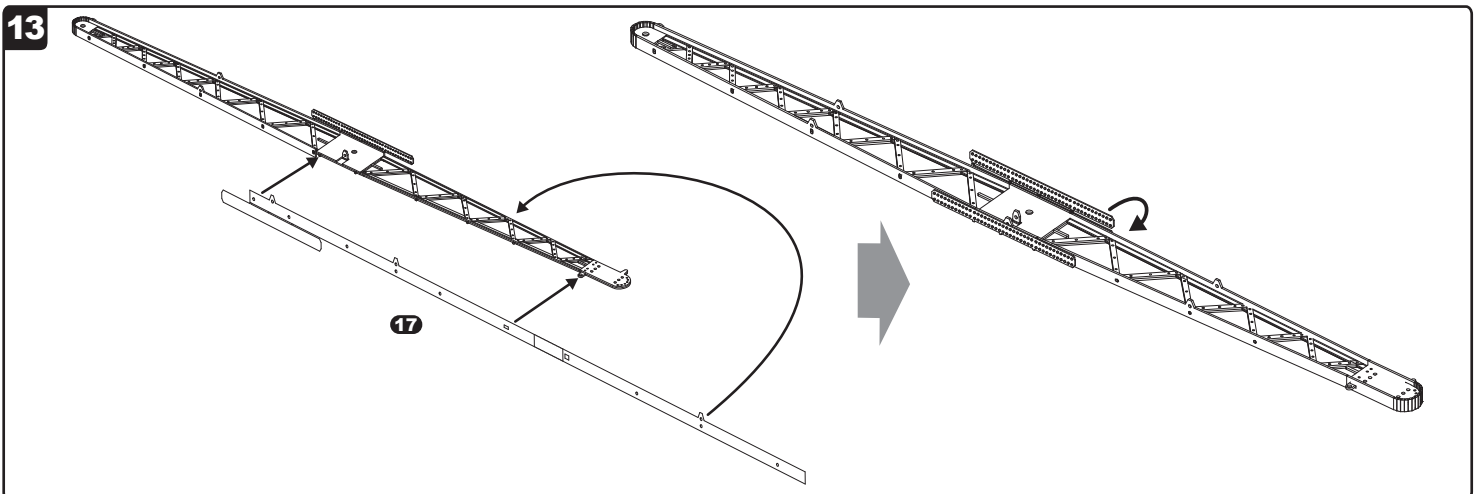
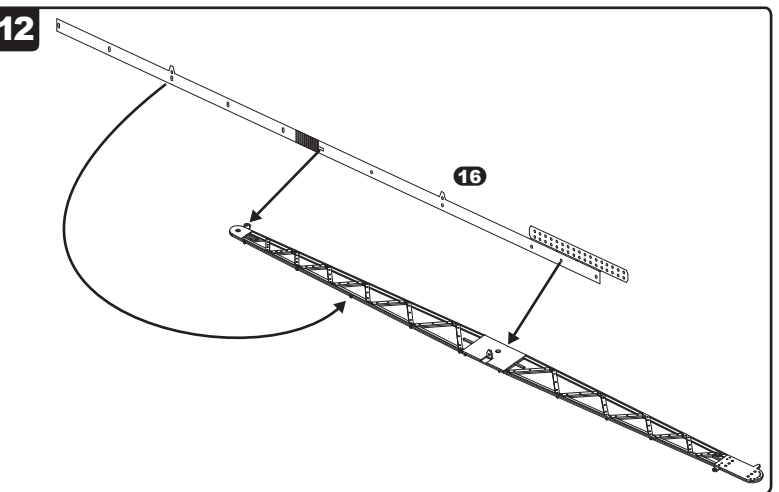
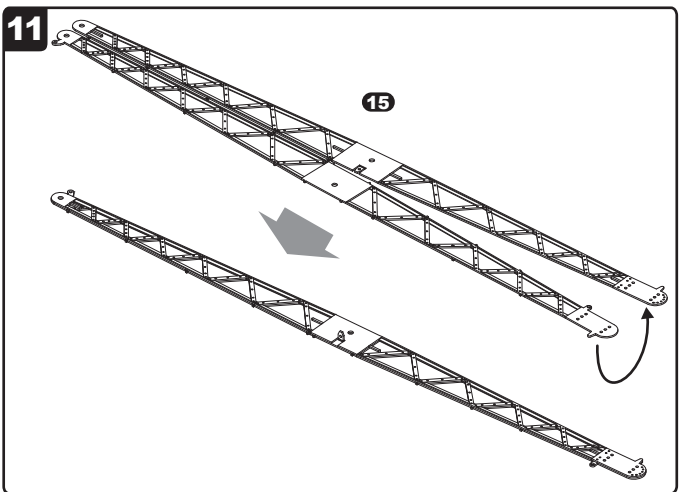
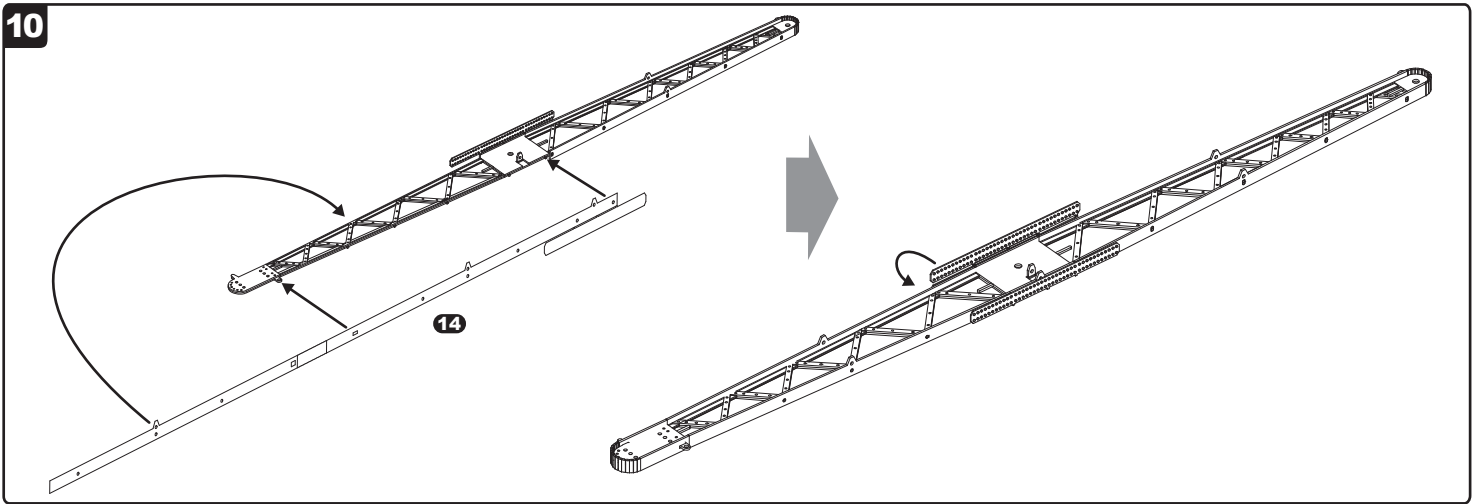
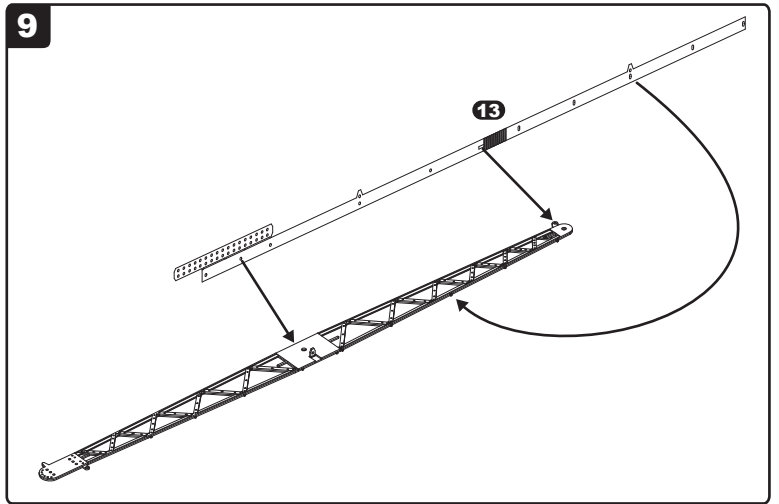
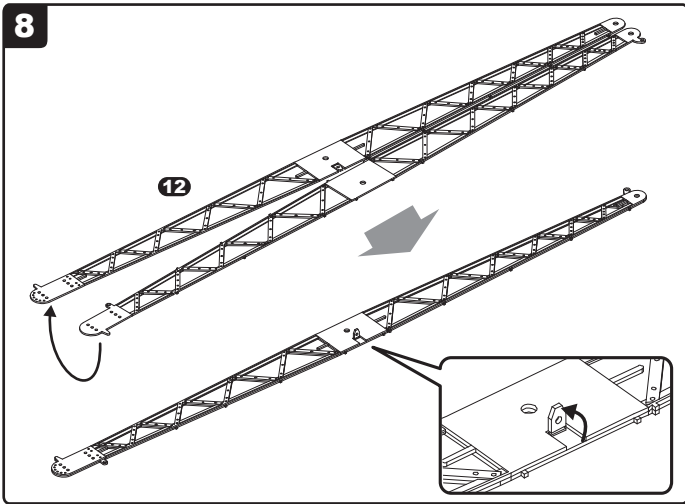
DG - Dark Green

• H76**33*** / R48** + 8***

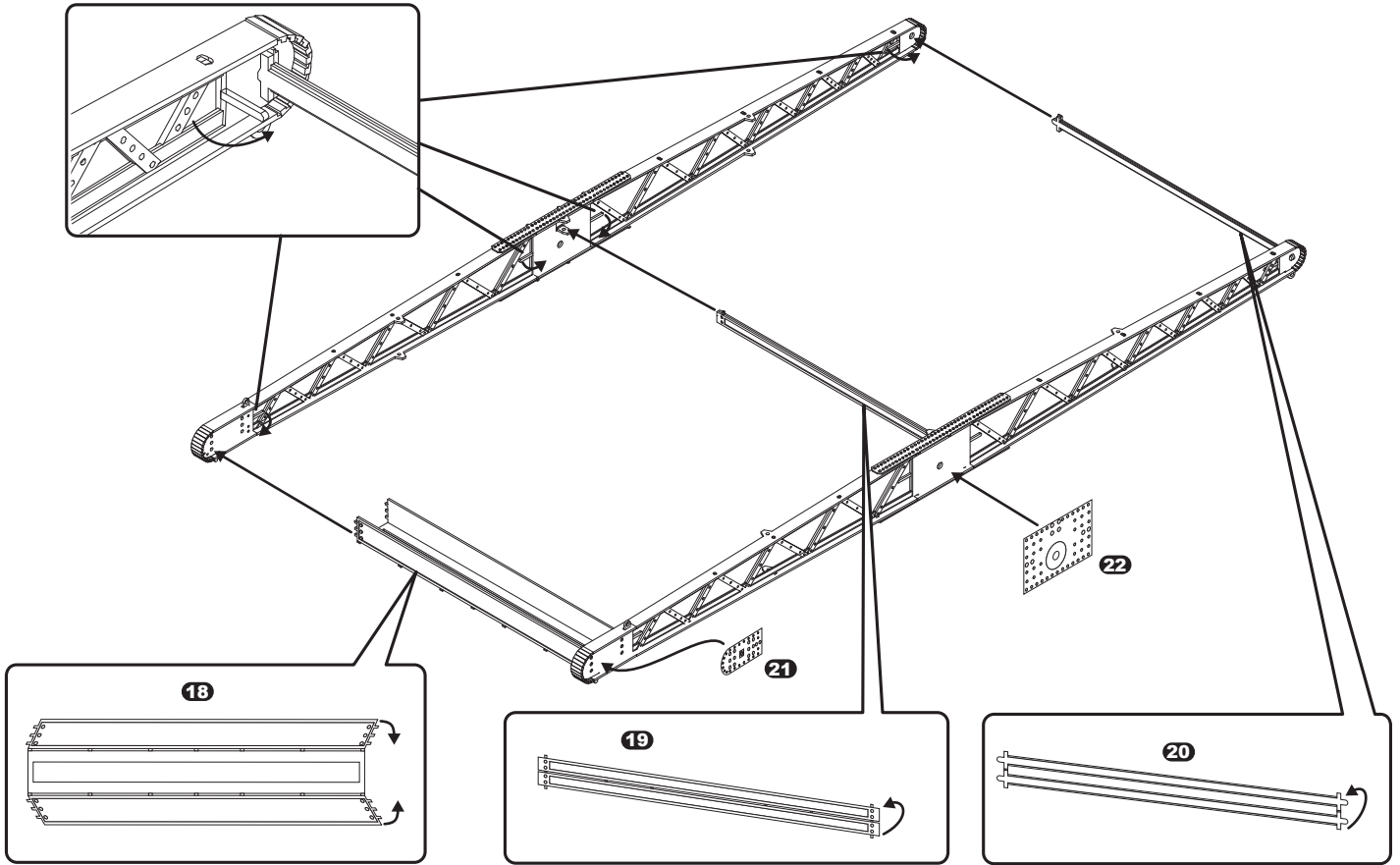
- Lijm resin en metalen onderdelen met seconde-lijm (cyanoacrylaat).
- Zum verkleben verwenden Sie Cyanoacrylat.
- Glue resin and brass parts with Cyanoacrylate.



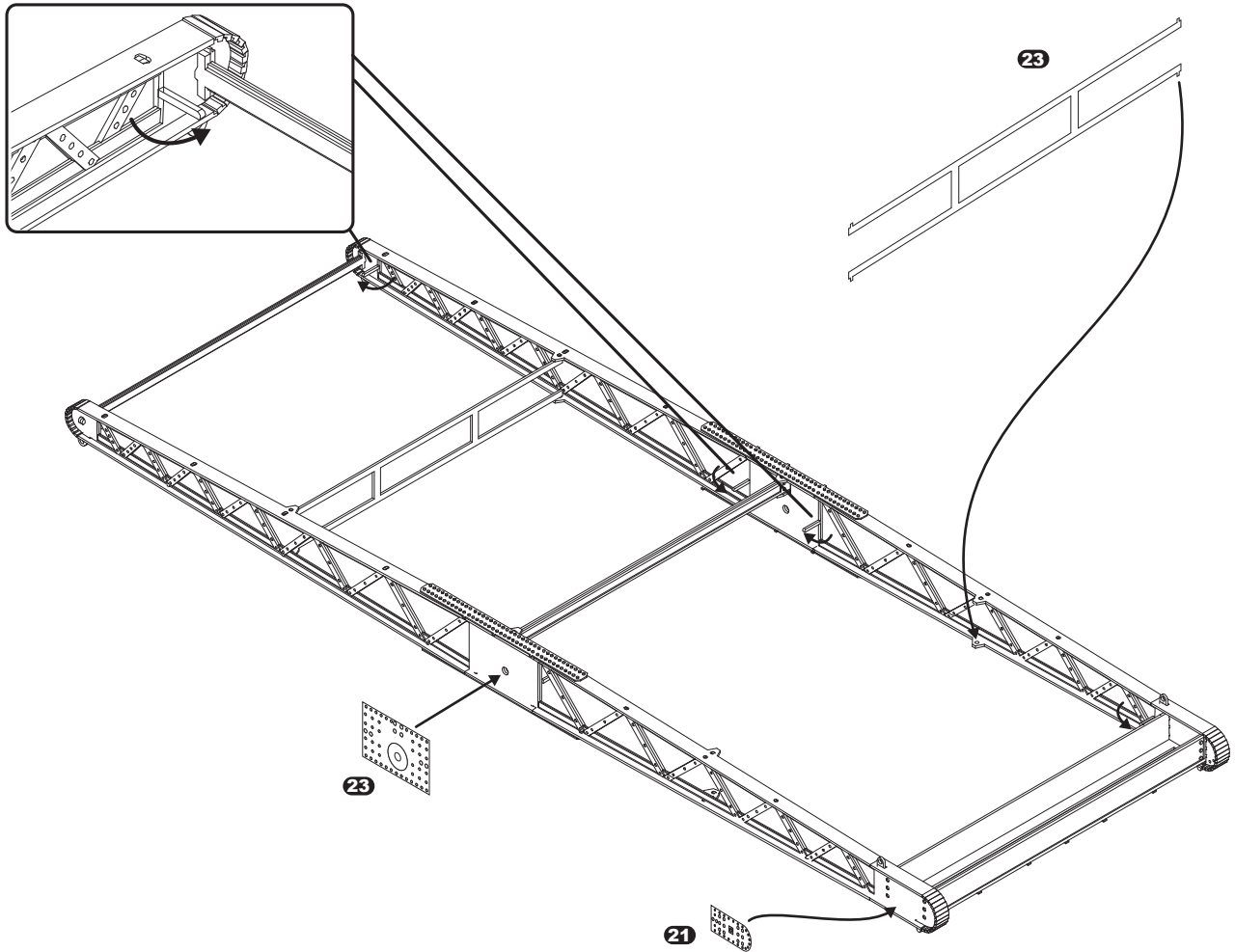




14



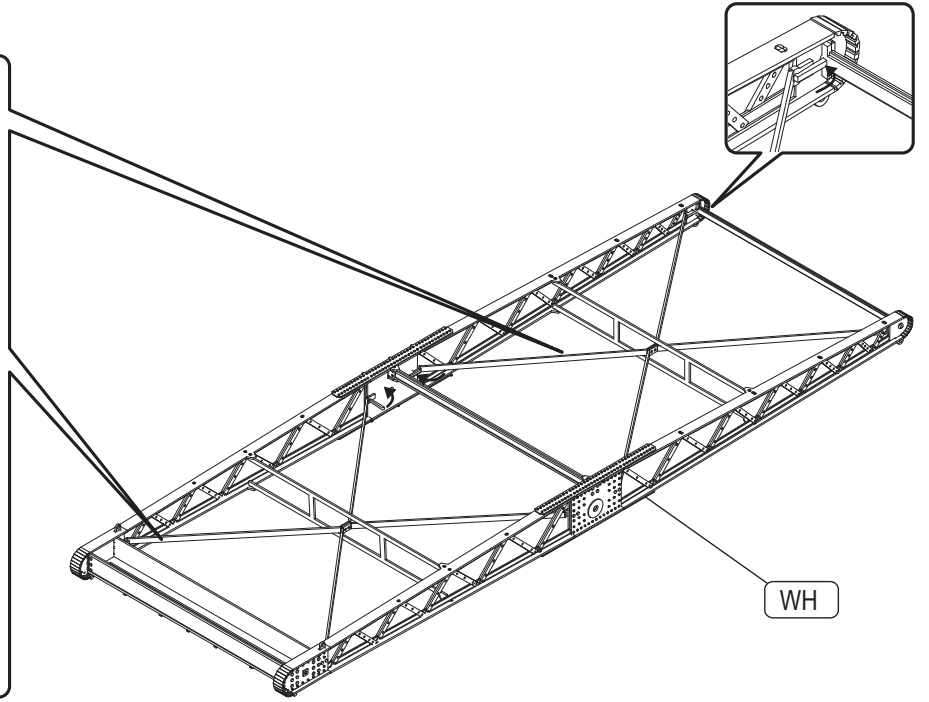
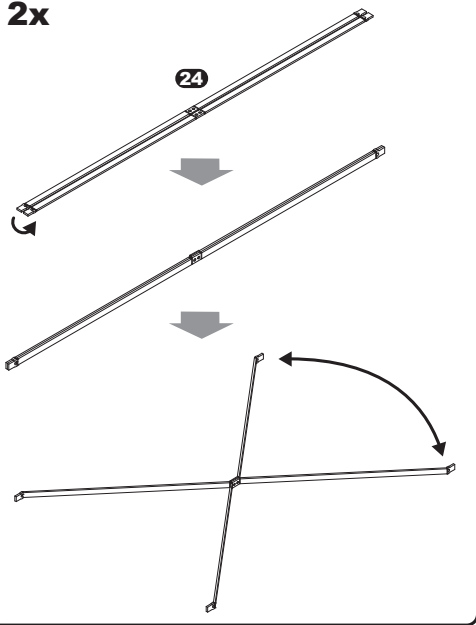
15



16

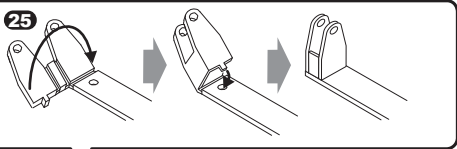
2x

24

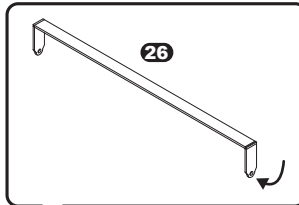


17

25



26

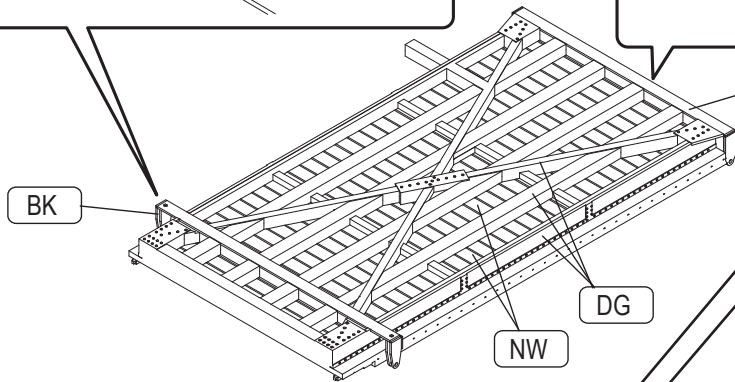


BK

BK

DG

NW



18



28

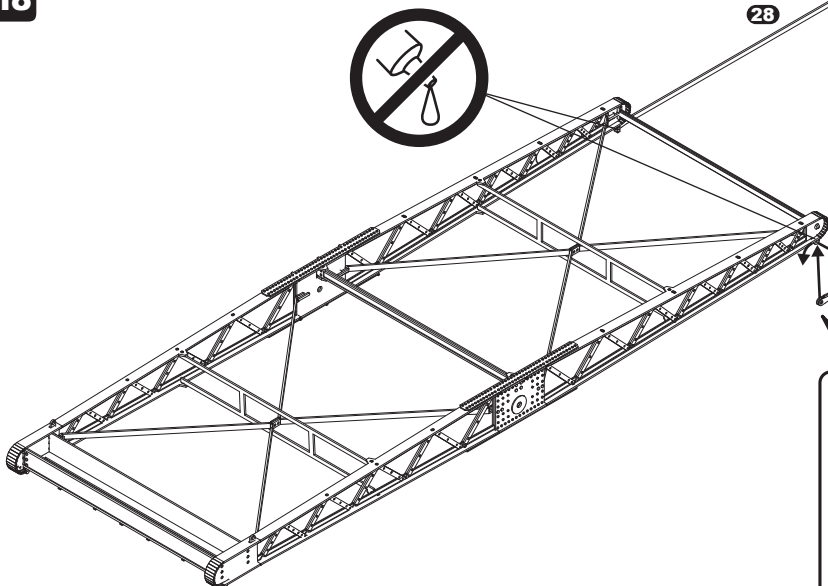


29

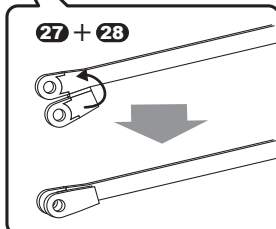
27



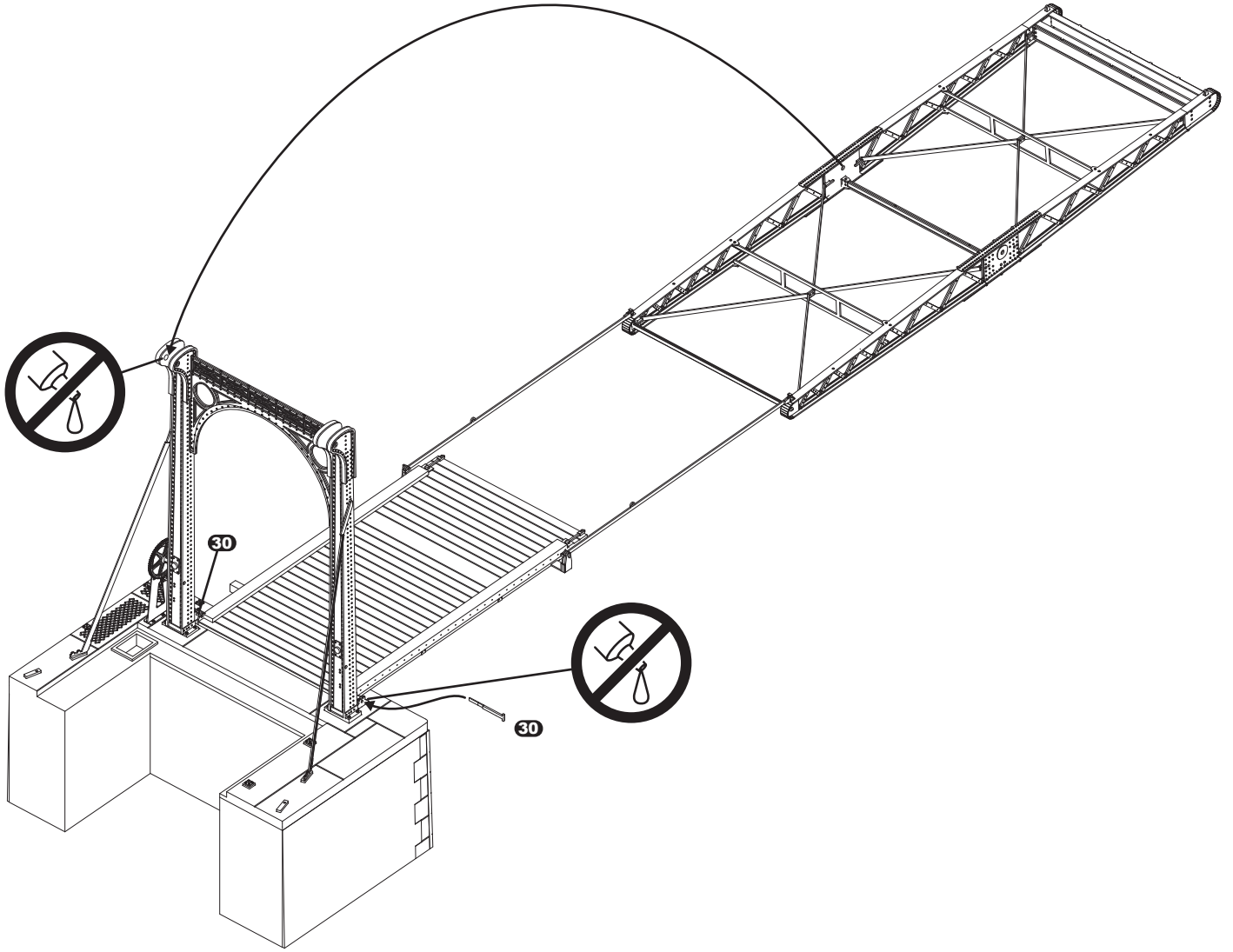
29



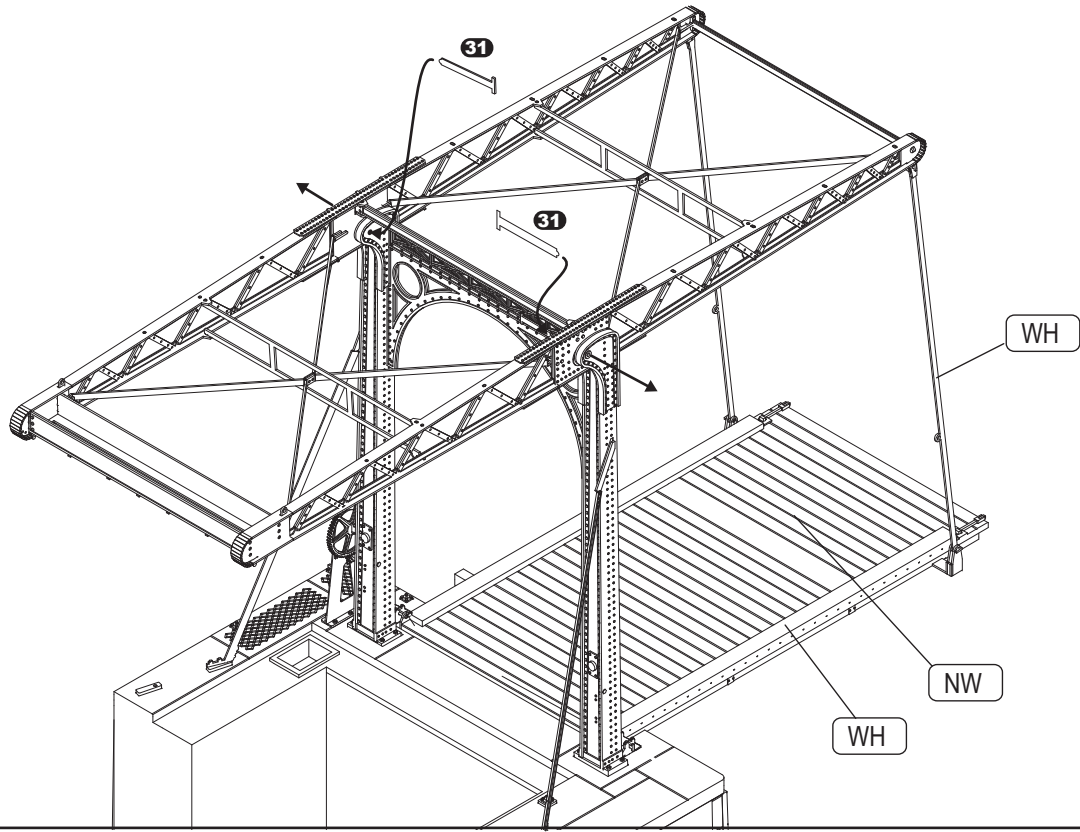
27 + 28



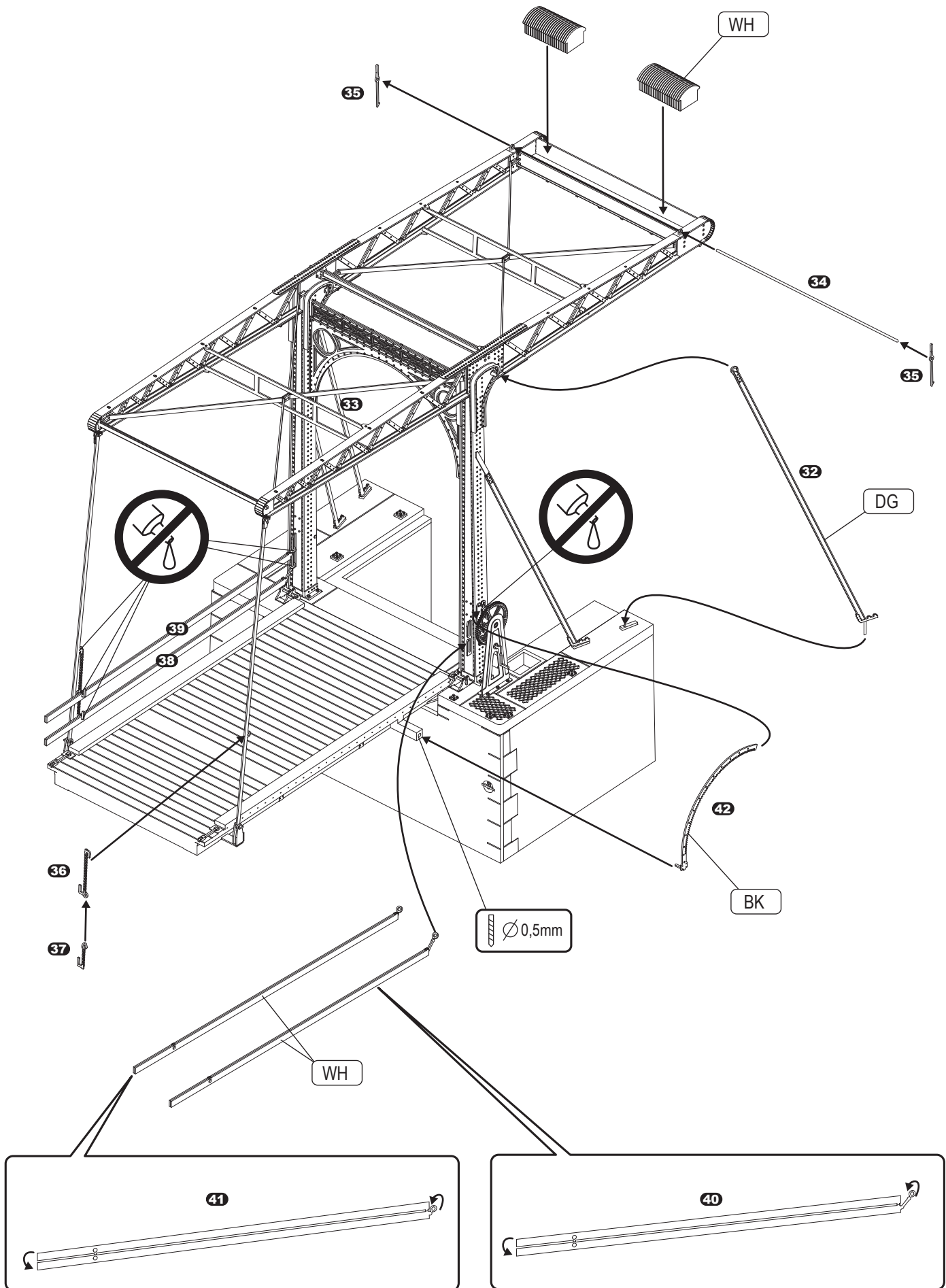
19



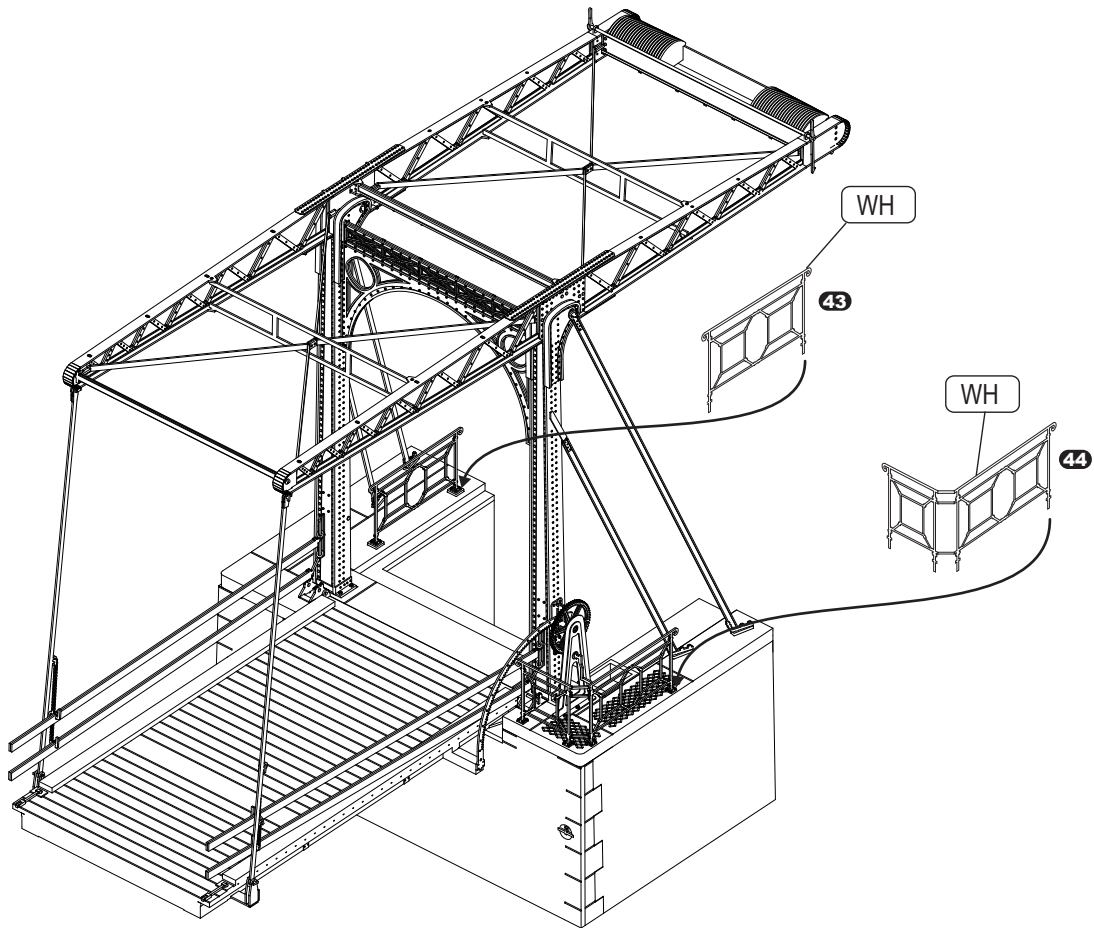
20



21



22



23

