

Kleuren / Farben / colors:

H = Humbrol

R = Revell

***** = a lot

* = a little

OG - Olive Green

• H155 / R42

DB - Dark Brown

• H98 / R85*****

AT - Anthracite

• H33*** + H34*

• R9***** + R5*

BK - Black

• H33 / R8

WT - White

• H34 / R5

SR - Scarlet Red

• H60 / R36

BG - Bright Green

• H101 / R364

OR - Orange

• H82 / R25

SV - Silver

• H11 / R191

• Mengverhoudingen:

*** = veel / viel / much

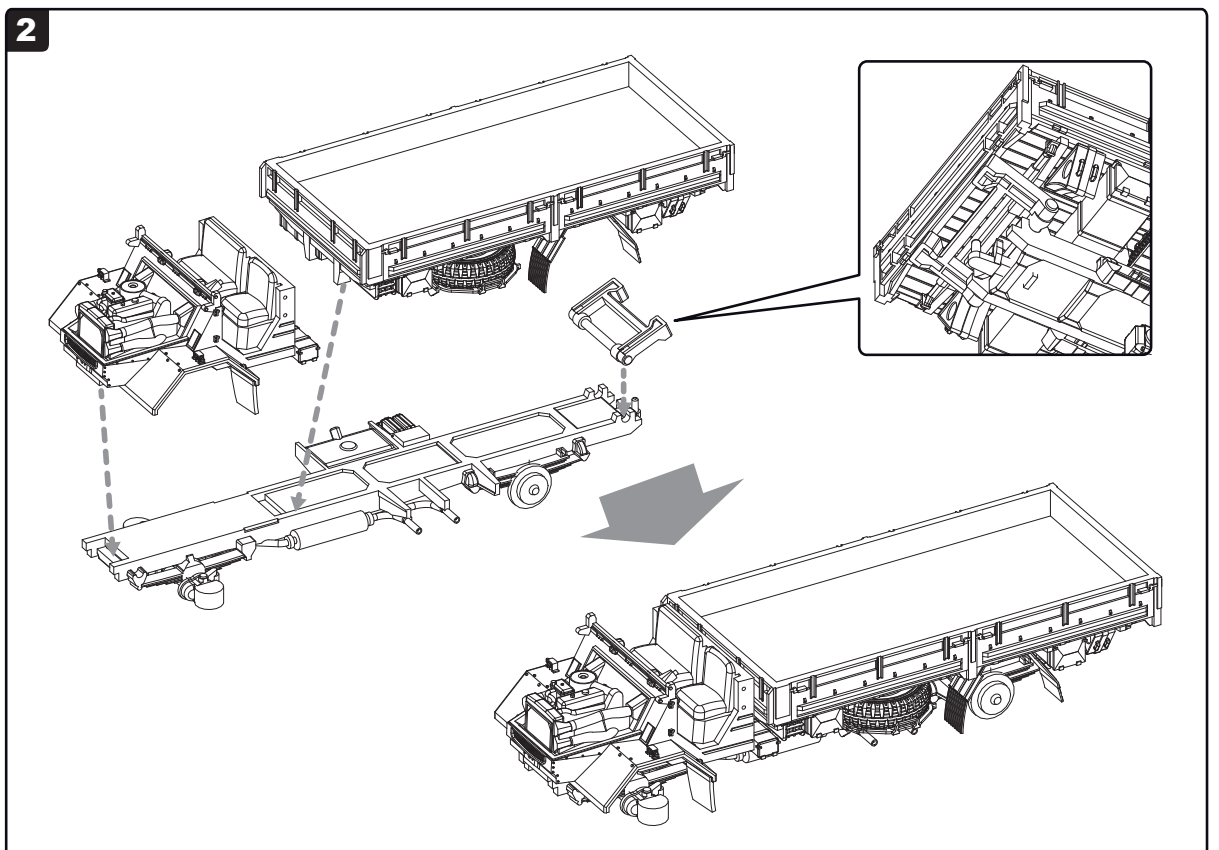
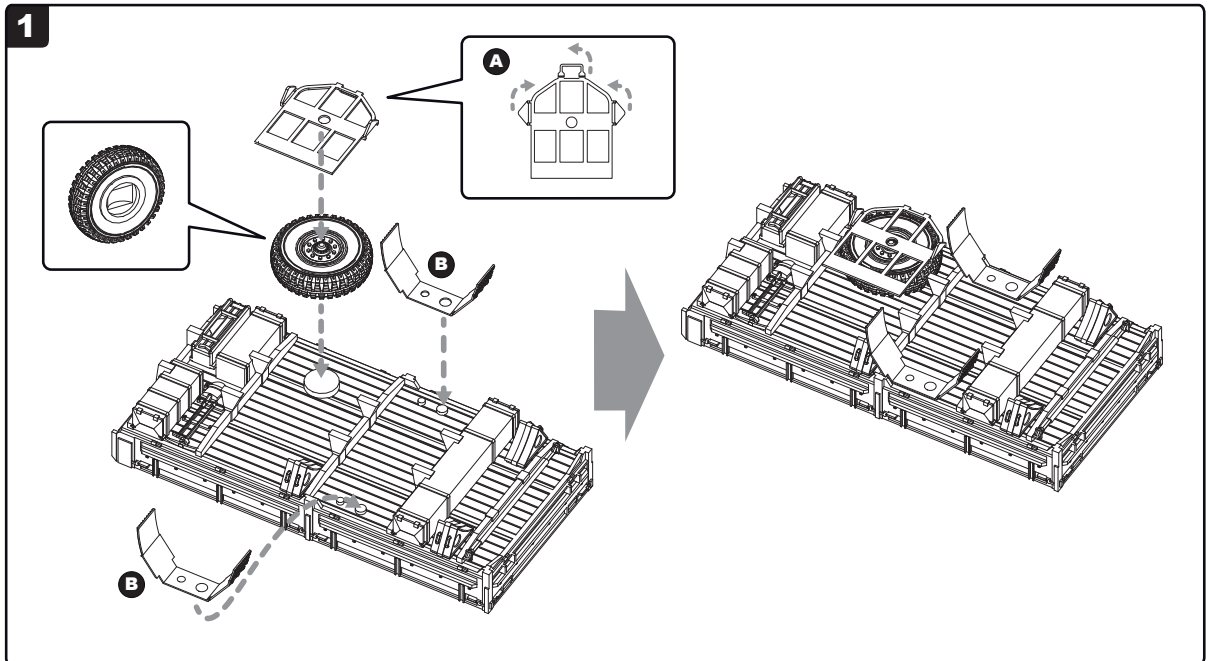
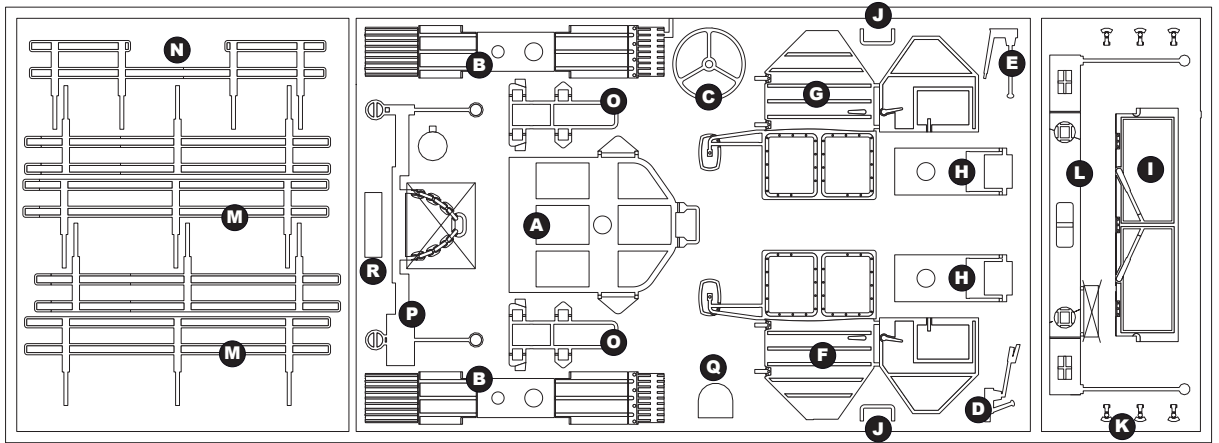
** = evenveel / gleich / equal

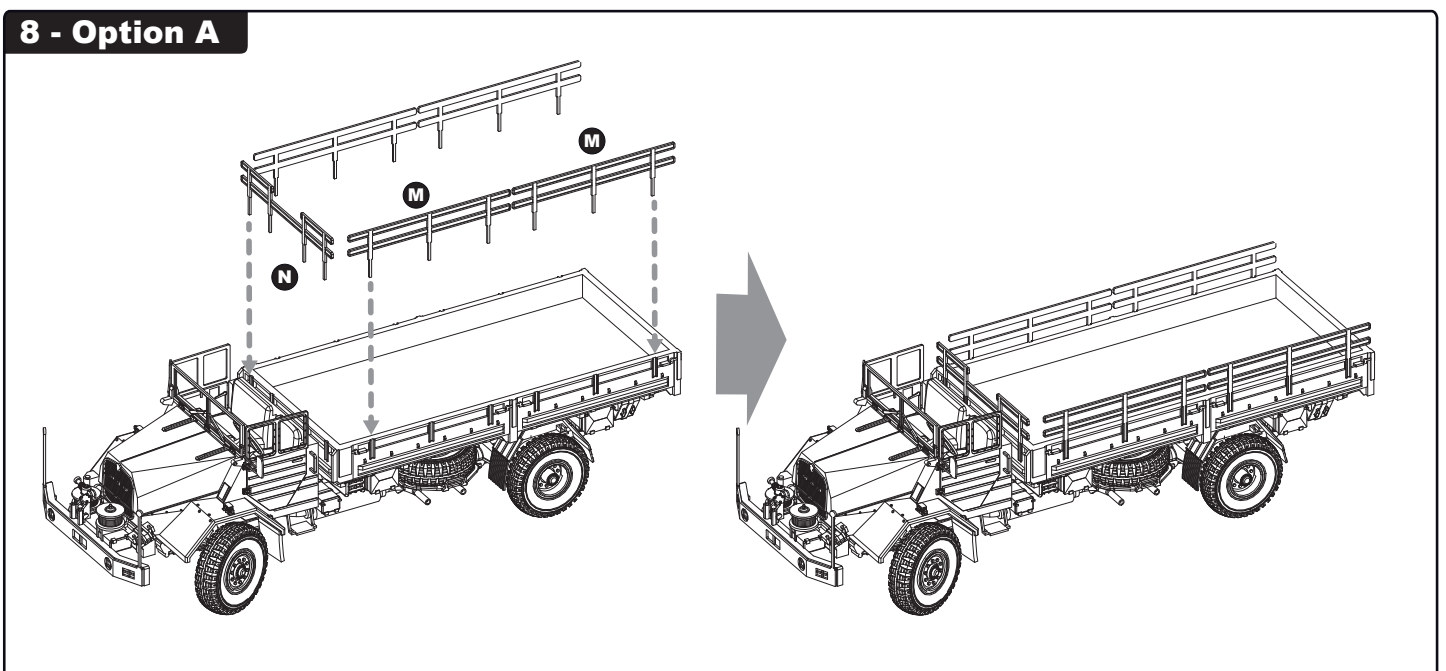
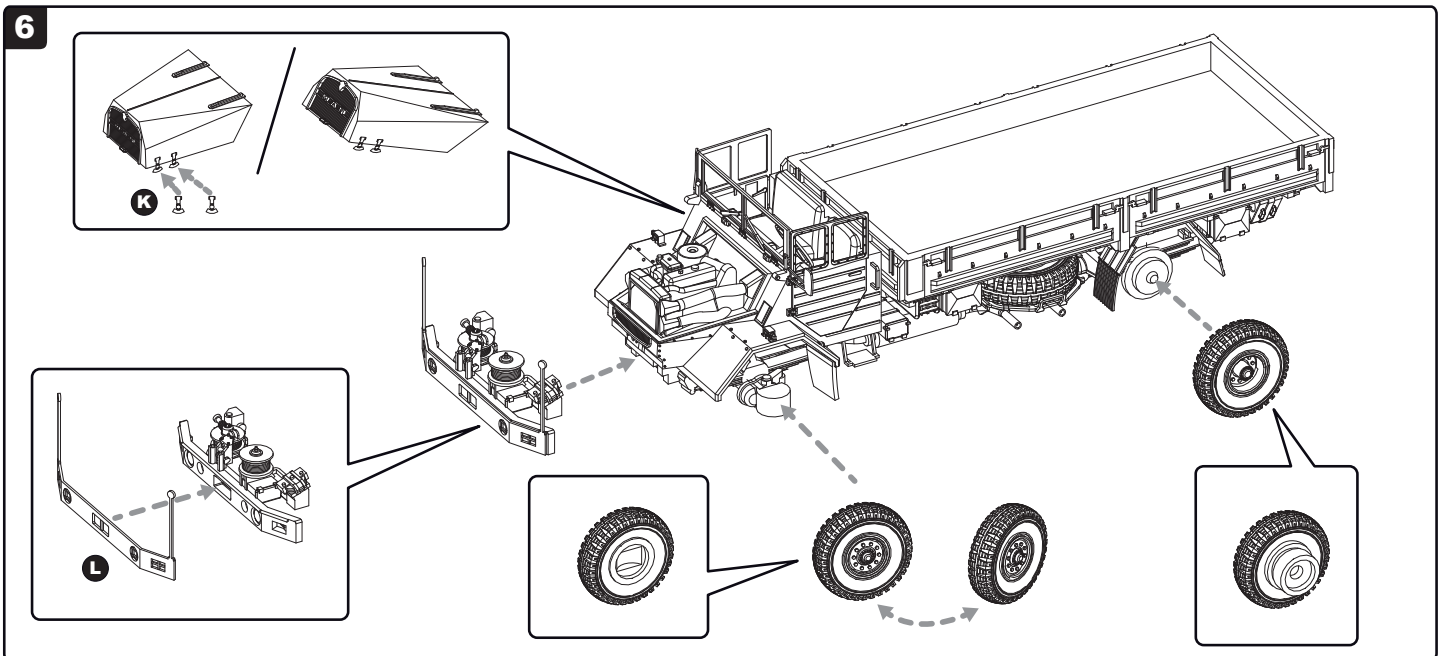
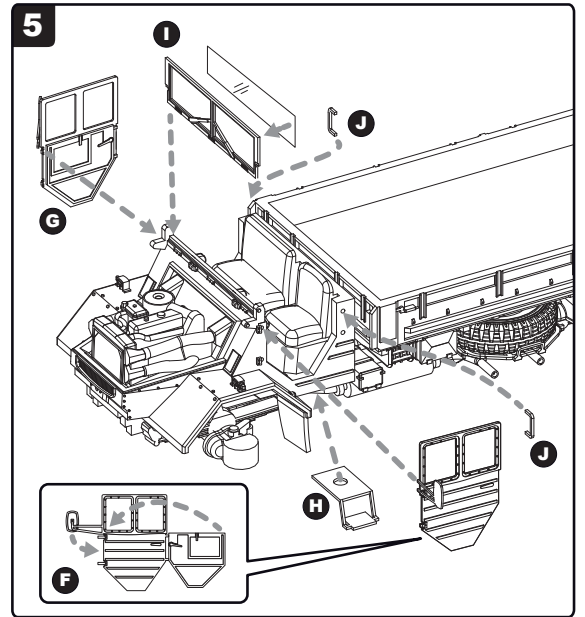
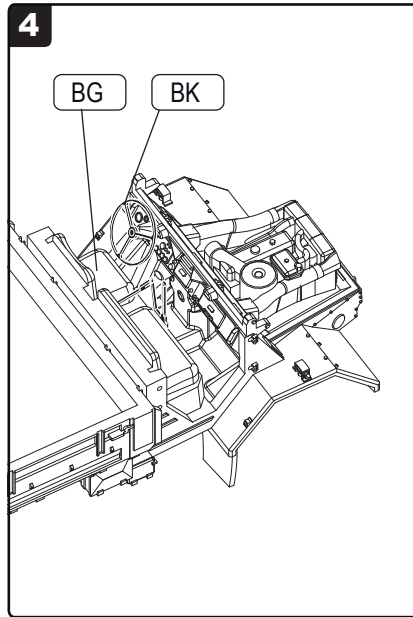
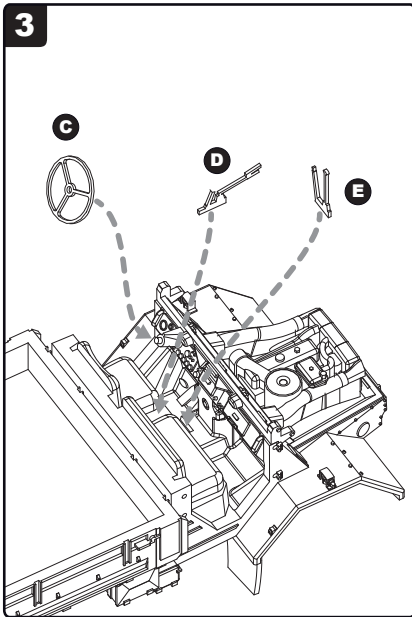
* = weinig / wenig / a little

• Lijm resin en messing onderdelen met seconde-lijm (cyanoacrylaat).

• Zum verkleben verwenden Sie Cyanoacrylate.

• Glue resin and brass parts with Cyanoacrylate.





9 - Option B

