

**Kleuren / Farben / colors:**

H = Humbrol

R = Revell

\*\*\*\*\* = a lot

\* = a little

**BK - Black**

• H33 / R8

**NW - Natural wood**

• H110 / R86

**LG - Light Grey**

• H64 / R75

**DR - Dark Red**

• H60\*\*\*+33\* / R36\*\*\*+8\*

**DG - Dark Grey**

• H79 / R77

**WH - White**

• H34 / R5

**SR - Scarlet Red**

• H60 / R36

**SV - Silver**

• H11 / R191

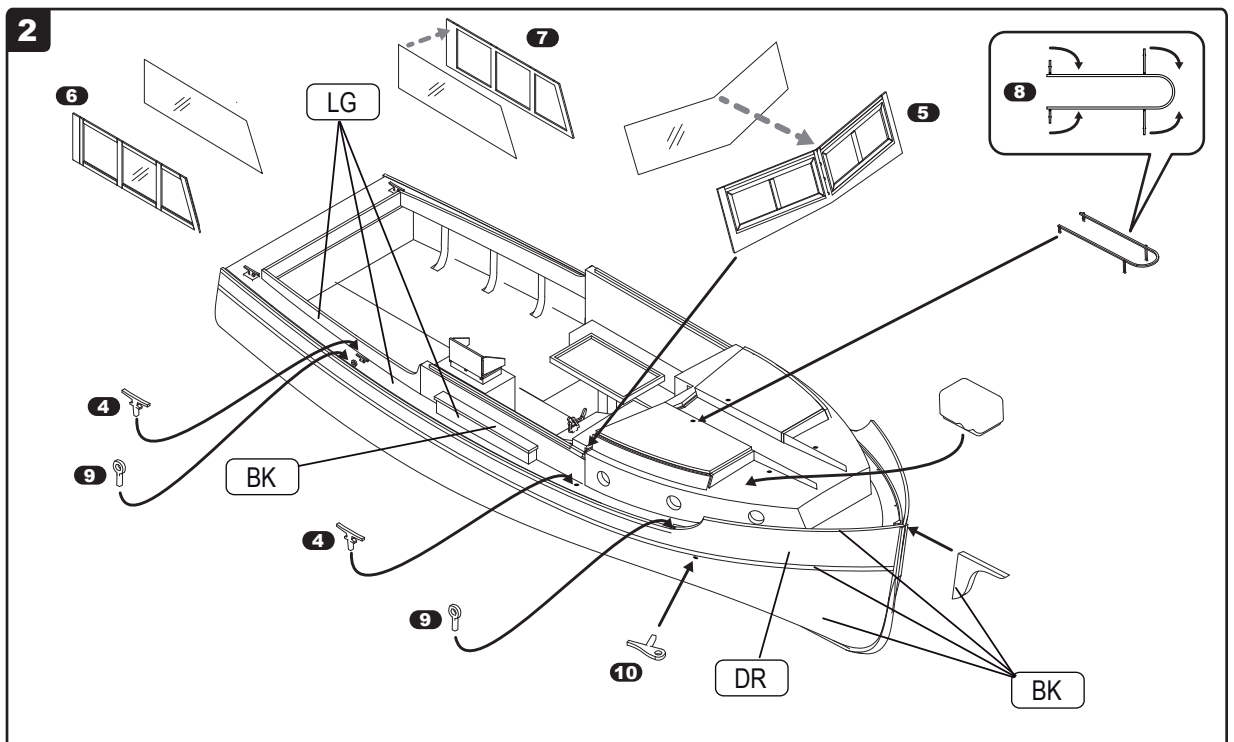
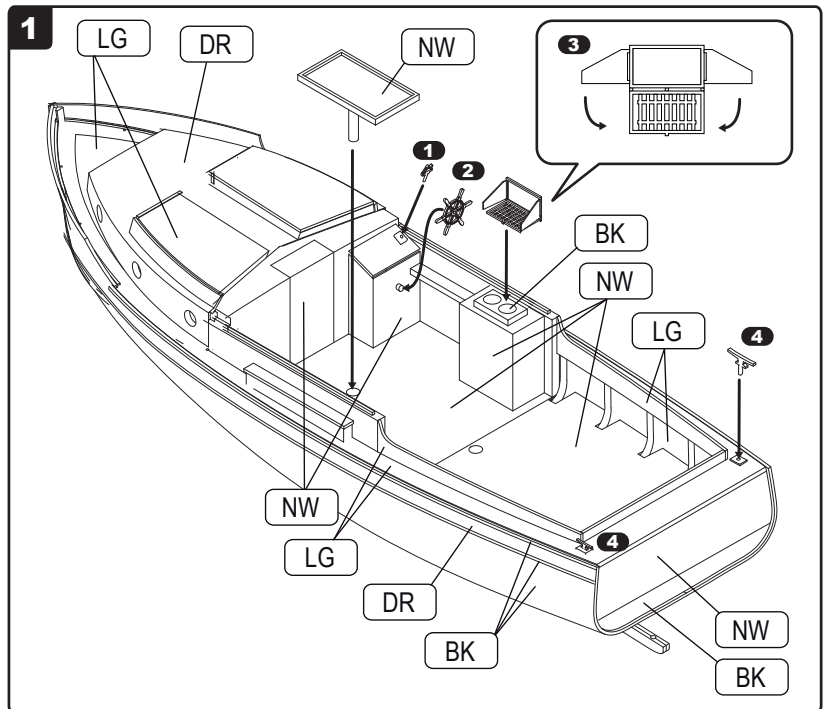
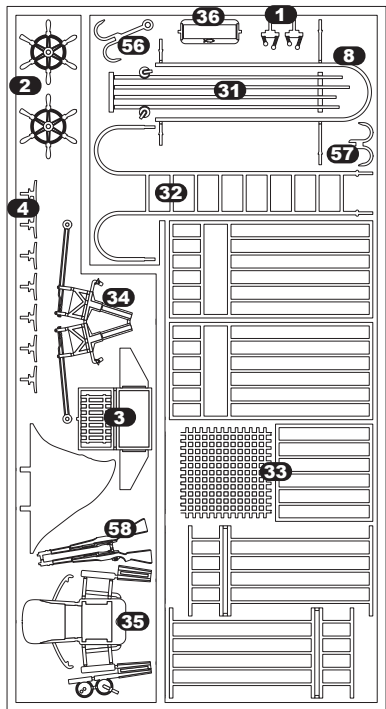
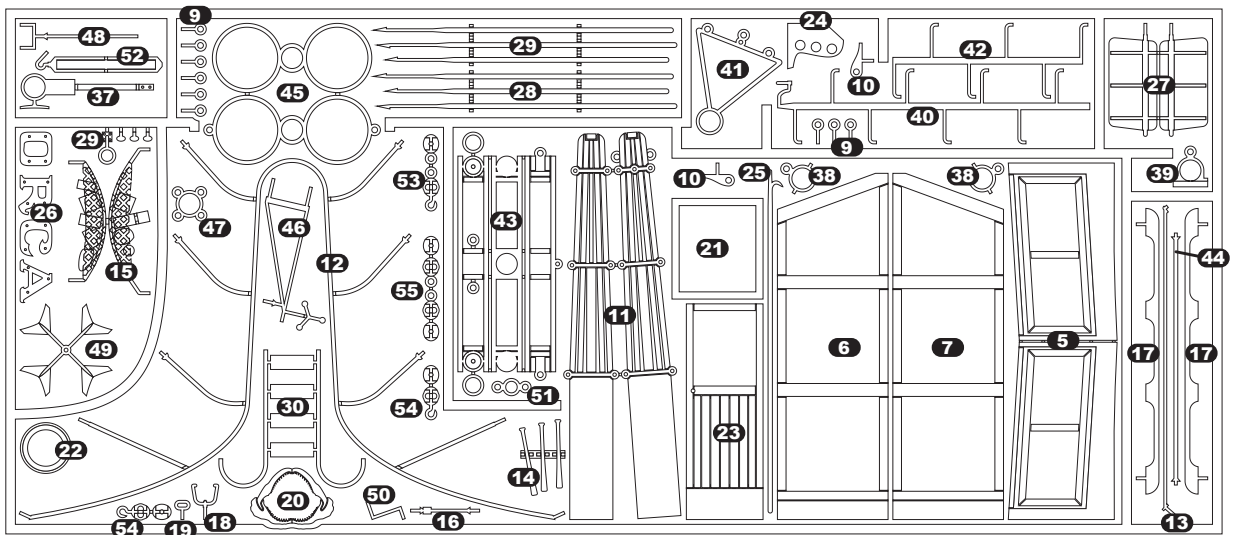
**YW - Yellow**

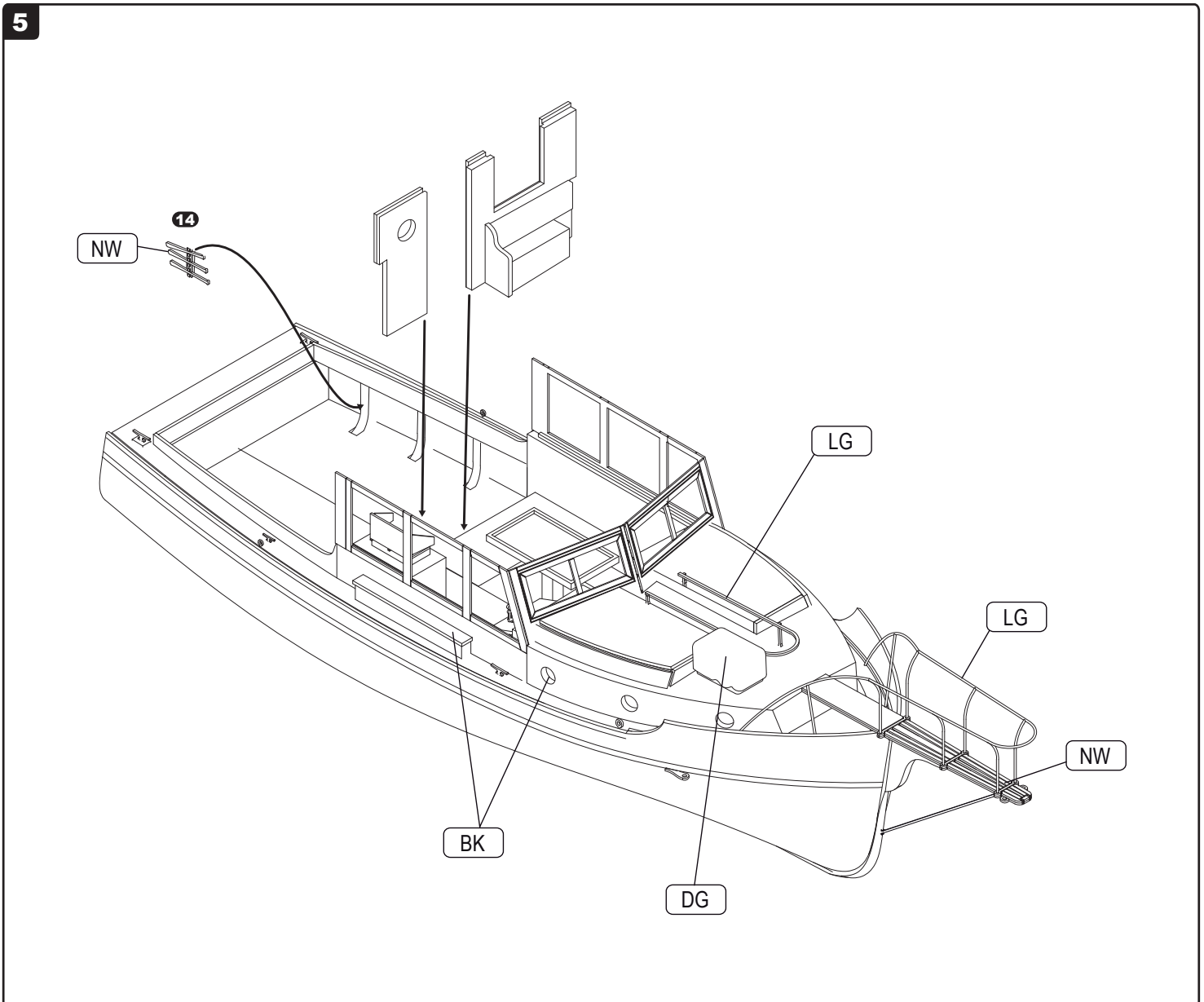
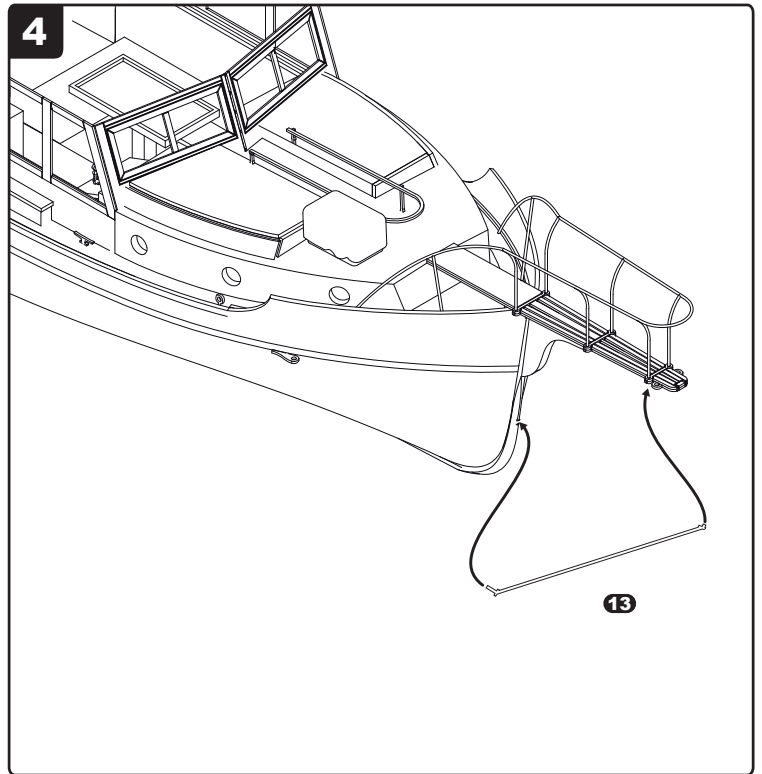
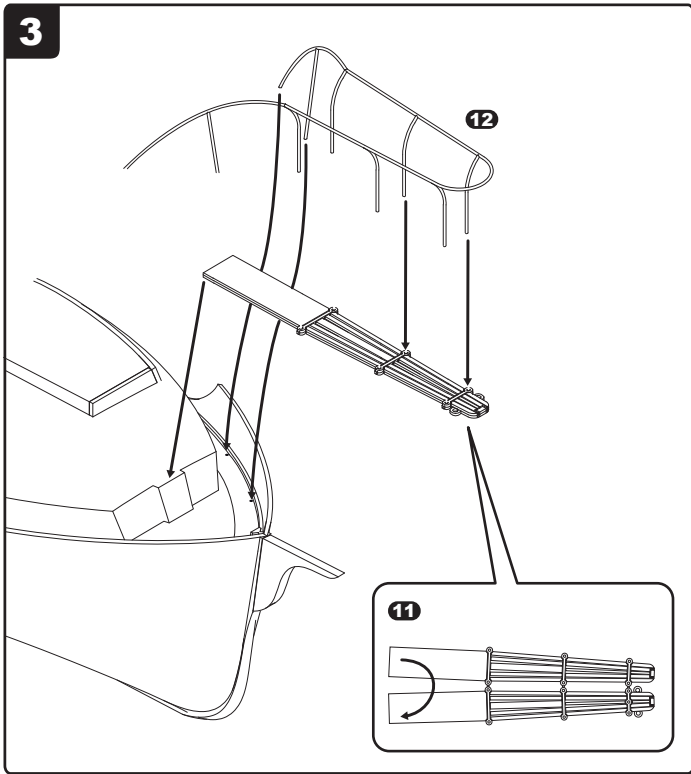
• H24 / R15

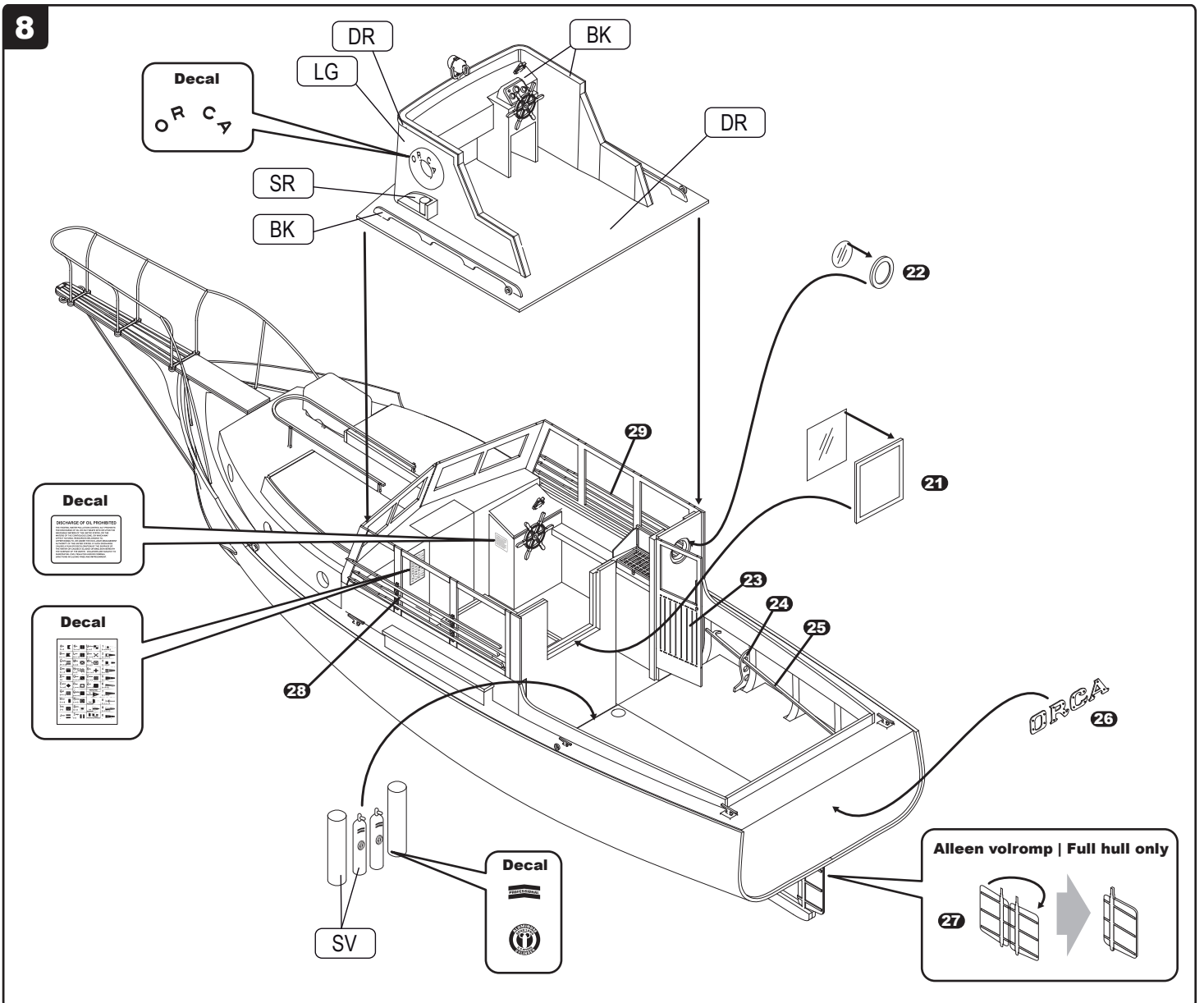
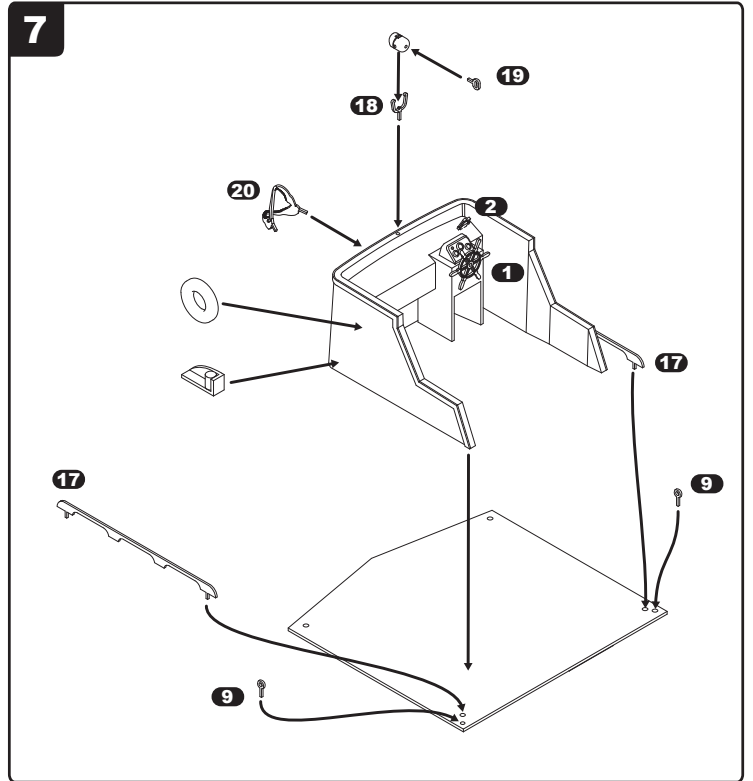
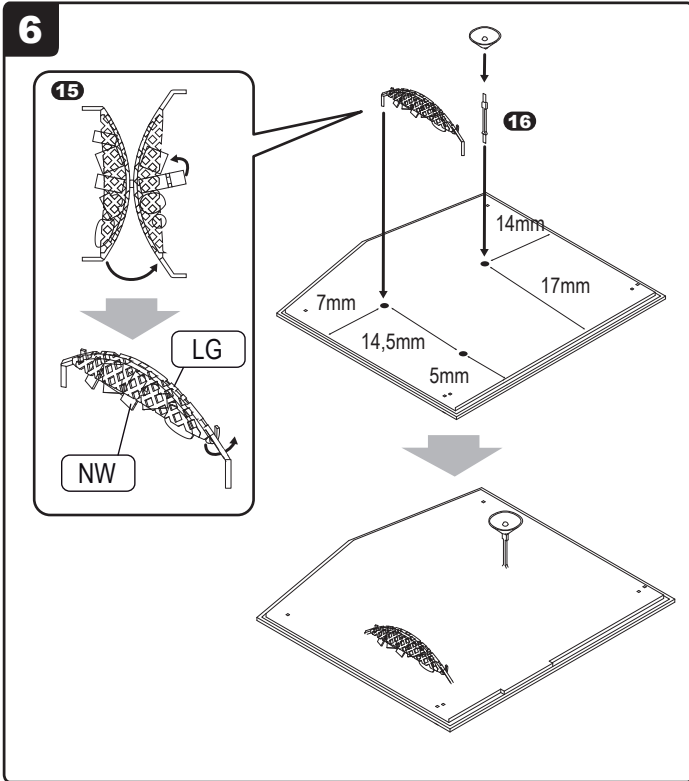
**GN - Green**

• H101 / R364

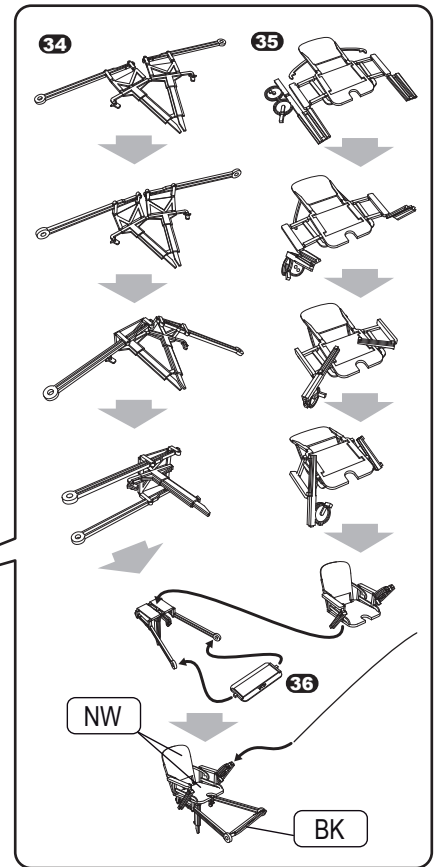
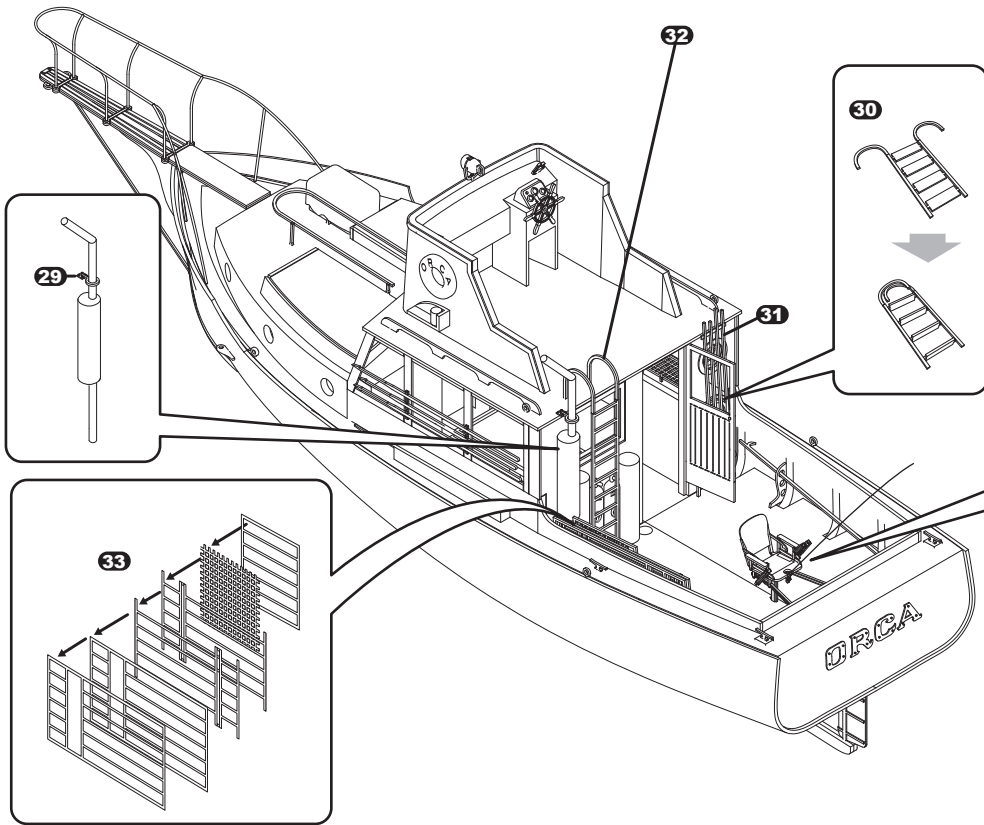
- Lijm resin en metalen onderdelen met seconde-lijm (cyanoacrylaat).
- Zum verkleben verwenden Sie Cyanoacrylate.
- Glue resin and brass parts with Cyanoacrylate.



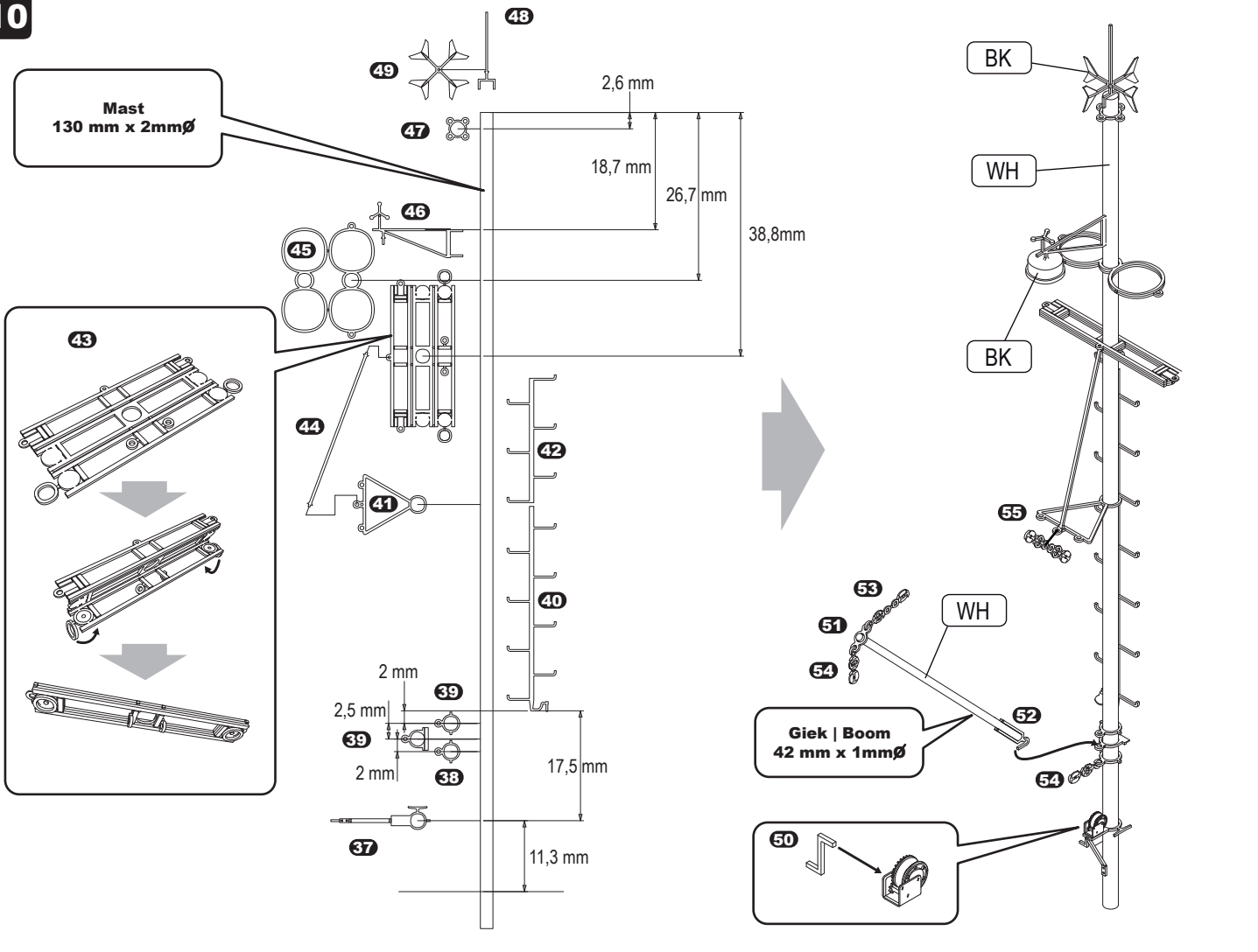




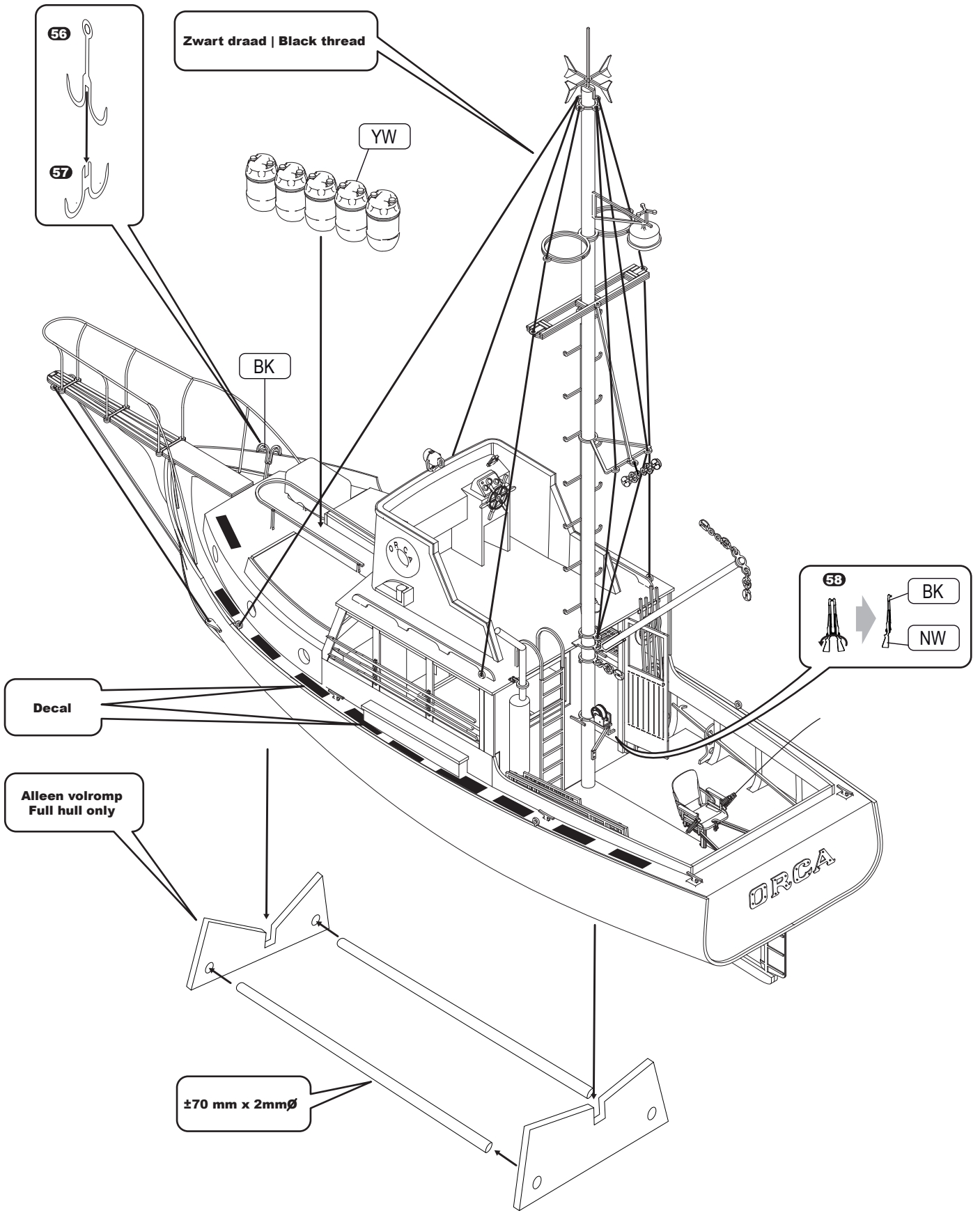
9



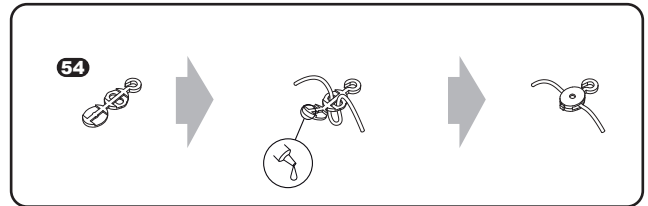
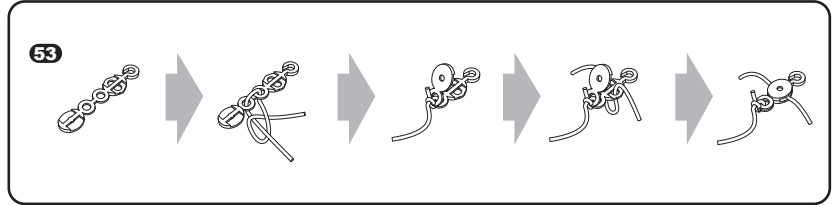
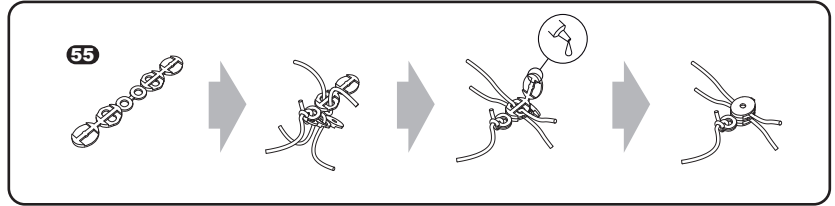
10



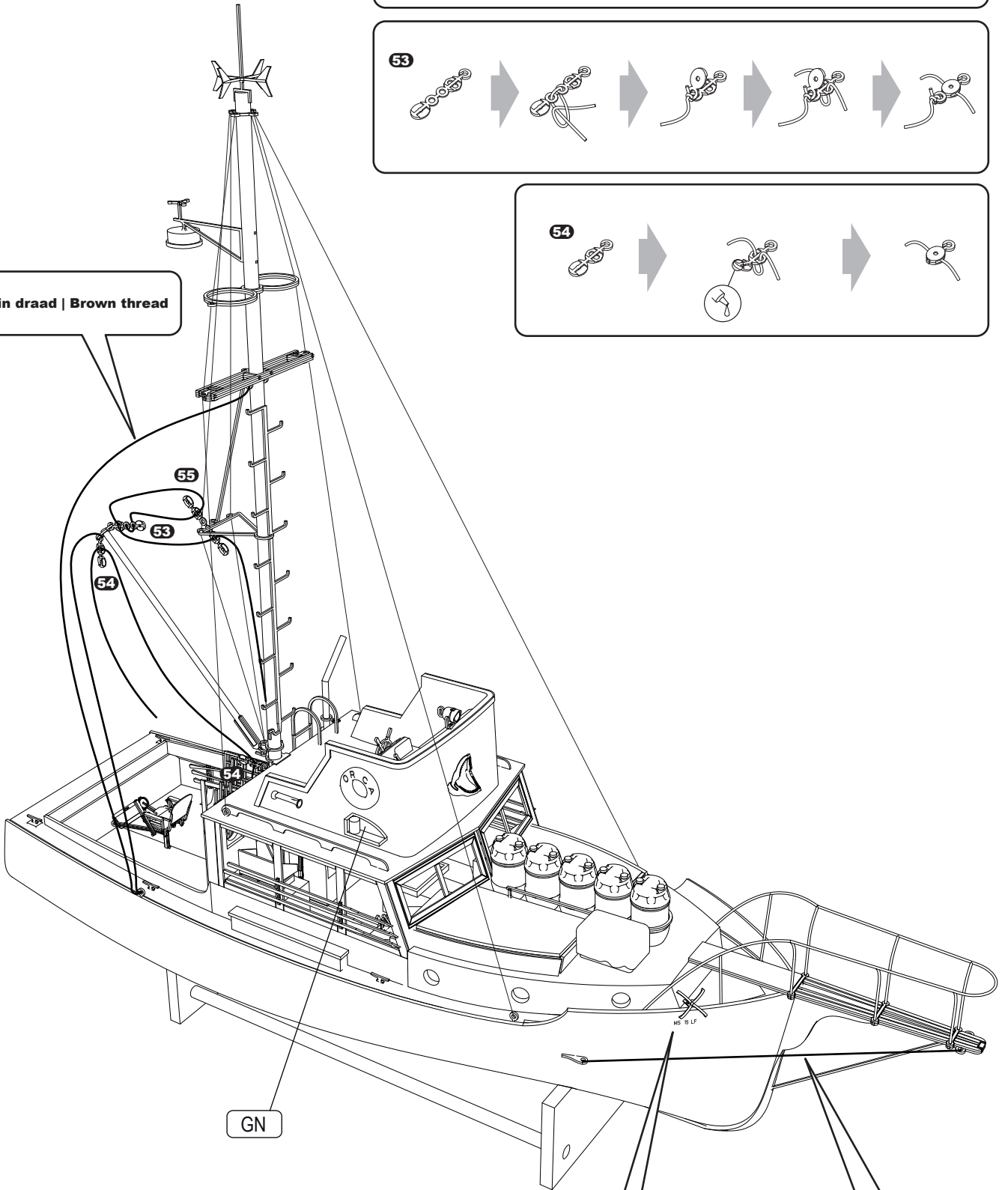
11



12



Bruin draad | Brown thread



GN

Decal  
MS 15 LF

Zwart draad | Black thread