

Kleuren / Farben / colors:

H = Humbrol

R = Revell

***** = a lot

* = a little

AT - Anthracite

• H33*** + H34*

• R9***** + R5*

OW - Off White

• H34***** + H33* + H24*

• R5***** + R8* + R15*

BK - Black

• H33 / R8

YW - Yellow

• H24 / R15

LR - Leather

• H62 / R85

LG - Light Grey

• H64 / R75

CE - Cement / Concrete

• H34*** + 33* + 110*

• R5*** + 8* + 86*

ME - Metal

• H56 / R99

SR - Scarlet Red

• H60 / R36

ST - Stone (Dutch)

• H24* + 34* + 70***

• R5* + 15* + 37***

DG - Dark Grey

• H79 / R77

GN - Green

• H76**33** / R48** + 8**

• Mengverhoudingen:

*** = veel / viel / much

** = evenveel / gleich /

equal

* = weinig / wenig / a little

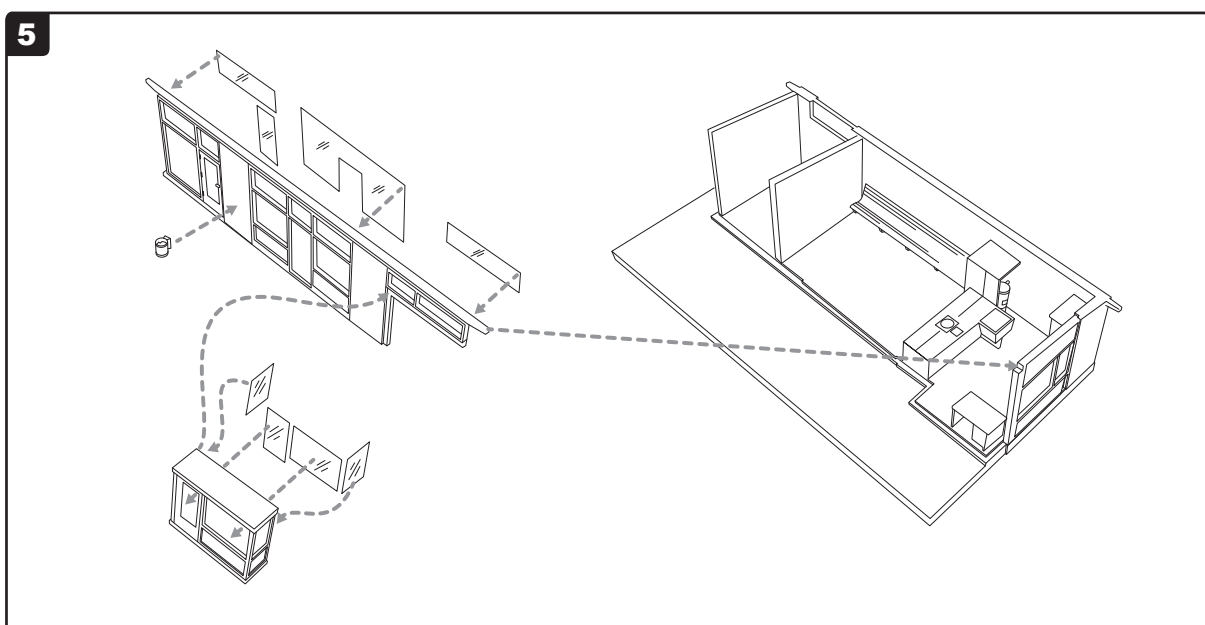
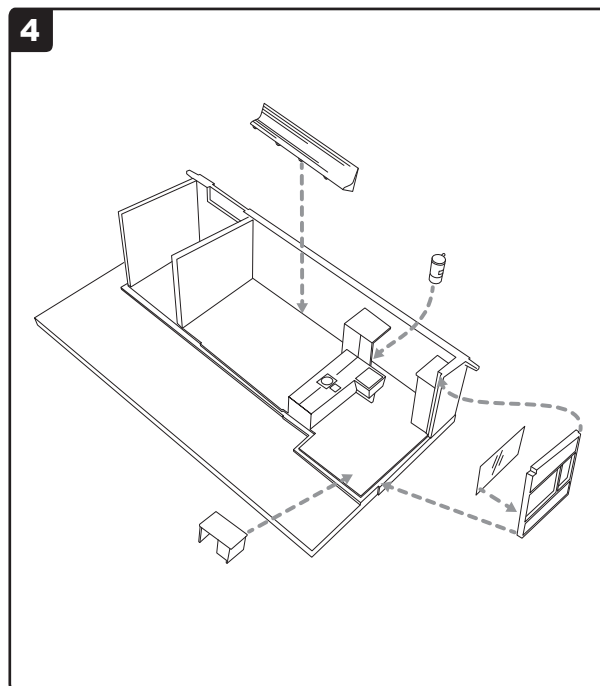
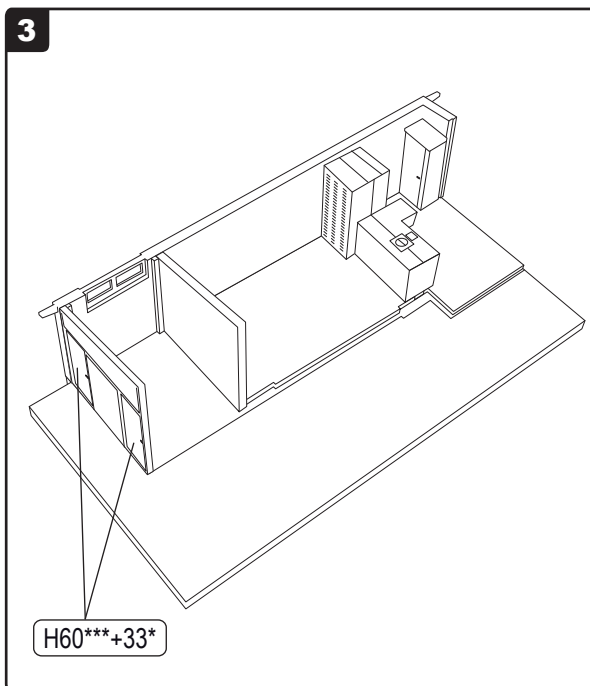
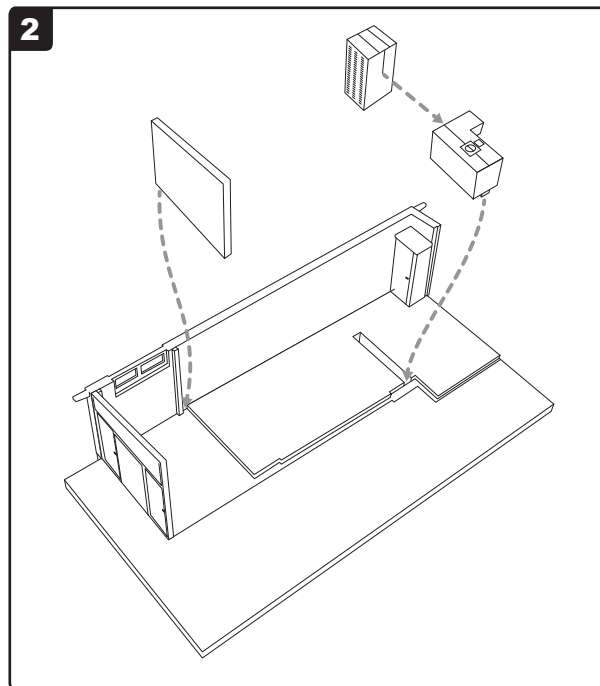
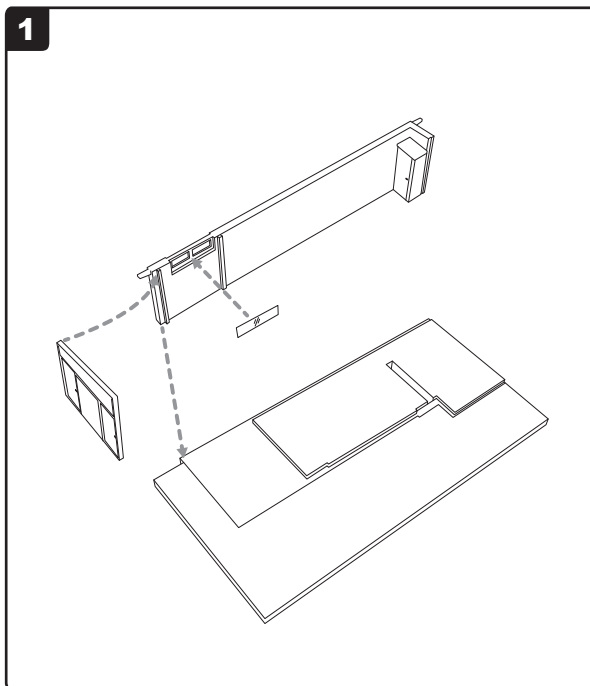
• Lijm resin en messing

onderdelen met seconde-lijm (cyanoacrylaat).

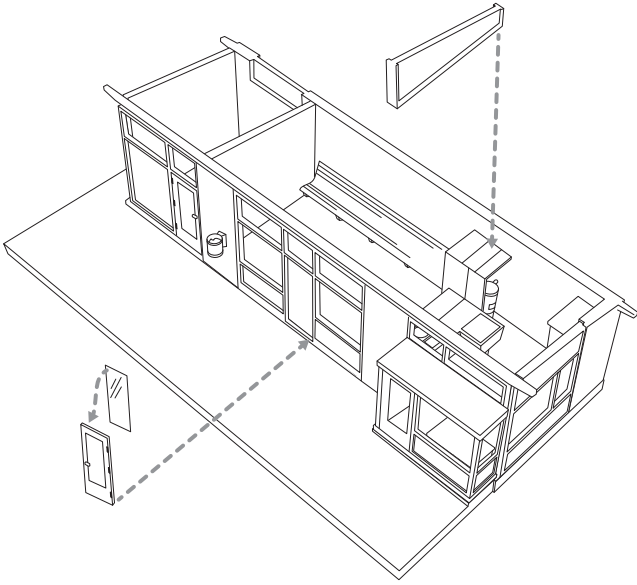
• Zum verkleben verwenden Sie Cyanoacrylate.

• Glue resin and brass

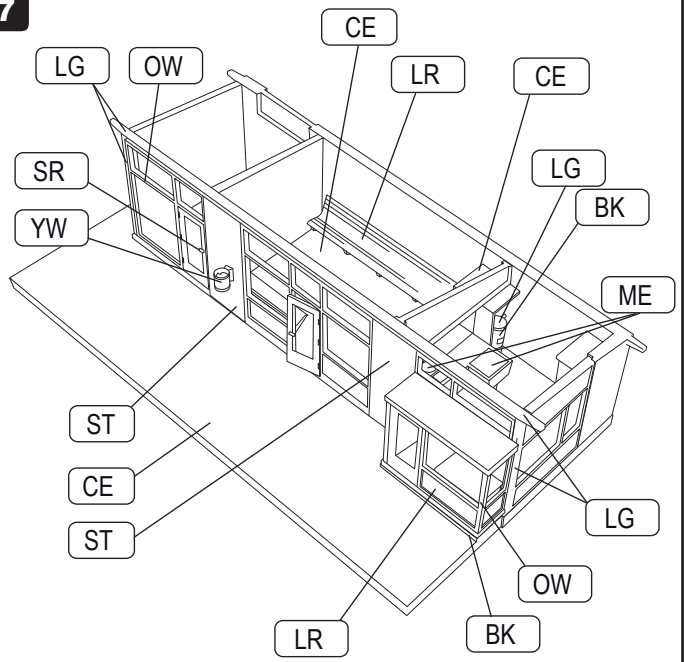
parts with Cyanoacrylate.



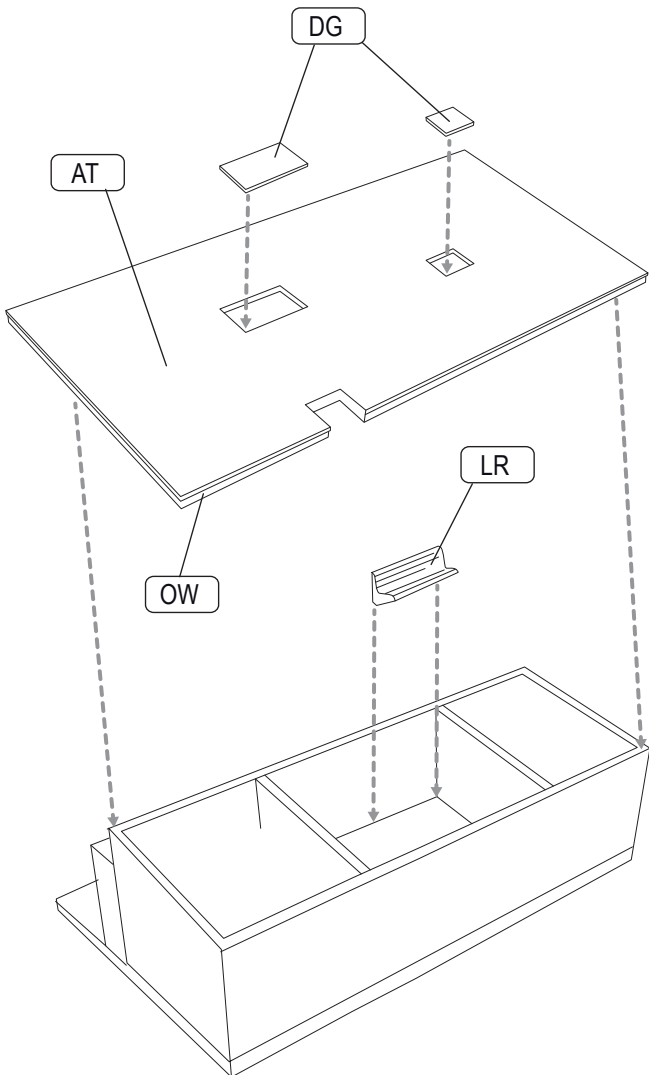
6



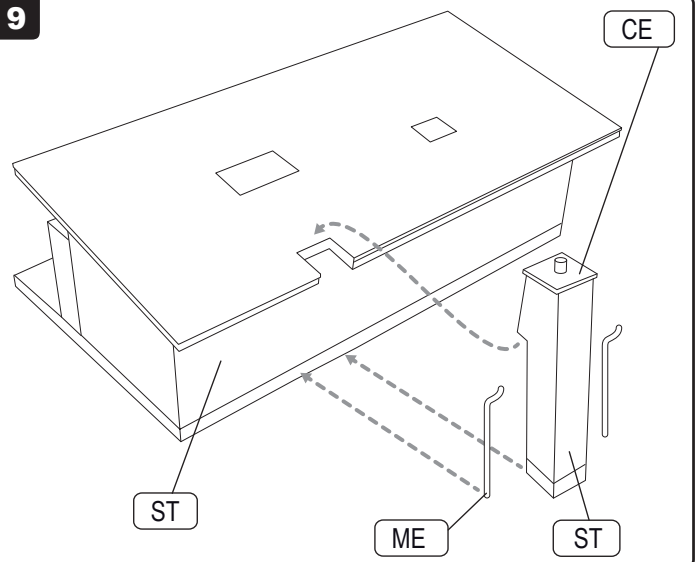
7



8



9



10

