

Keuren / Farben / colors:

H = Humbrol
 R = Revell
 ***** = a lot
 * = a little

WH - White

• H34 / R5

BK - Black

• H33 / R8

SR - Scarlet Red

• H60 / R36

SV - Silver

• H191 / R90

GD - Gold

• H16 / R194

SC - Skin Color

• H61 / R35

OG - Olive Green

• H159 / R65

LR - Leather

• H62 / R85

DB - Dark Blue

• H104+33 / R56+8

AT - Antracite

• H33*** + H34* / R9

• Mengverhoudingen:

*** = veel / viel / much

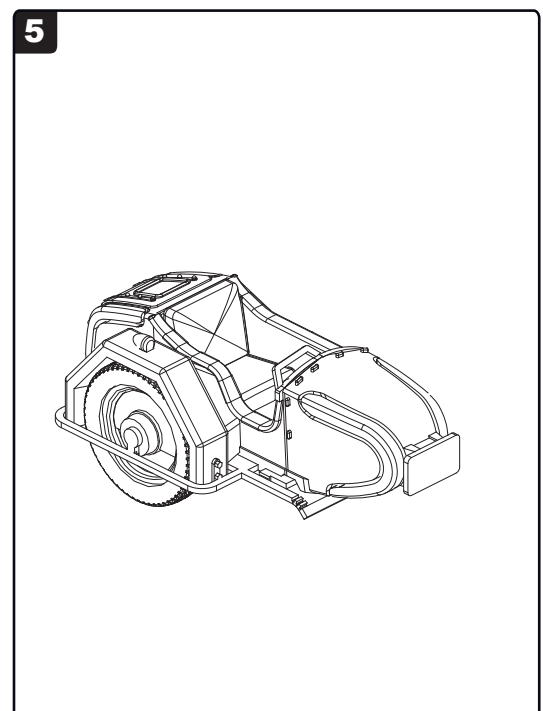
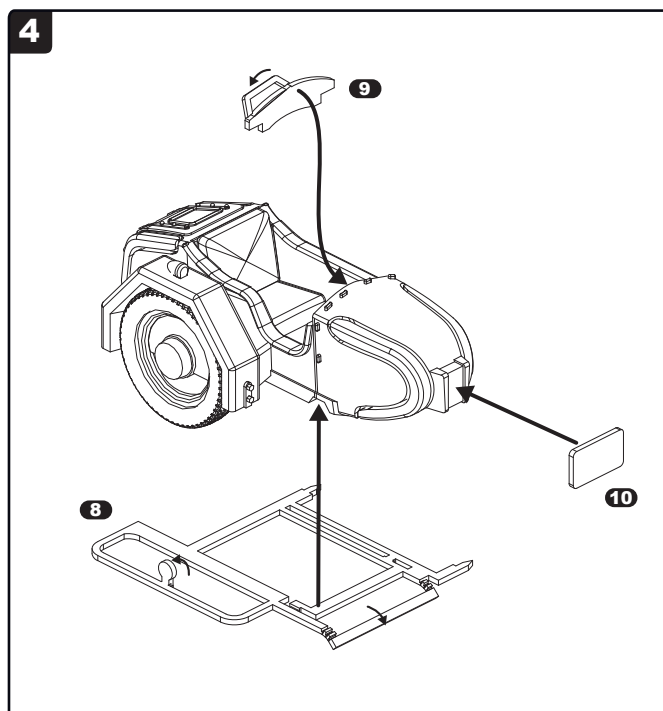
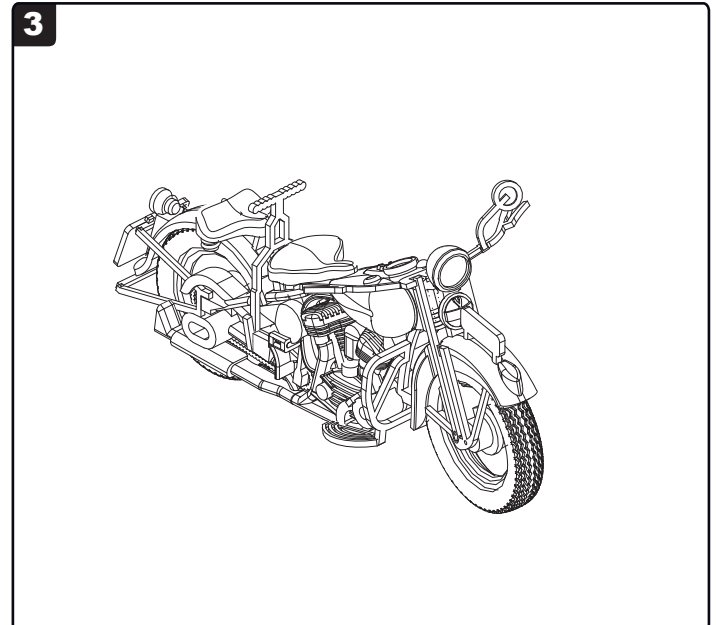
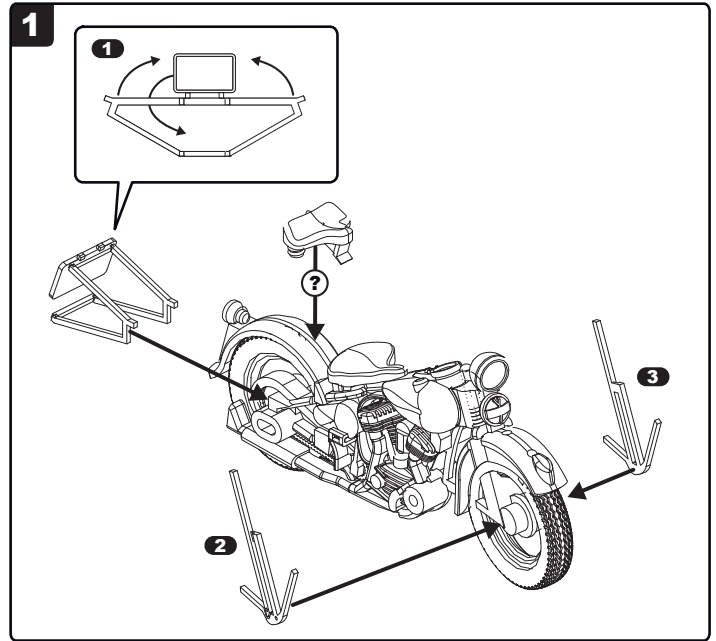
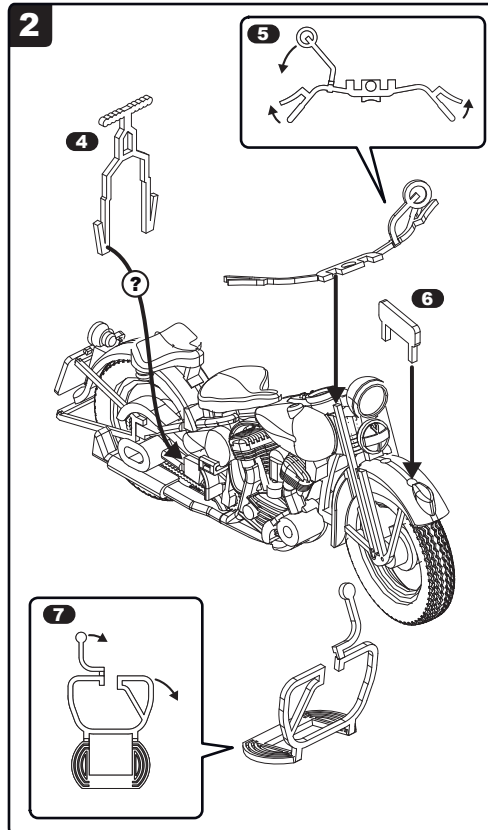
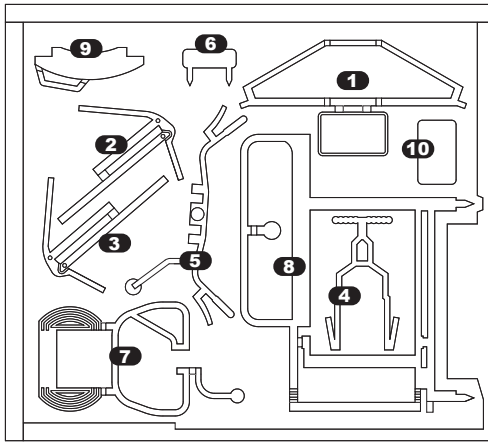
** = evenveel / gleich / equal

* = weinig / wenig / a little

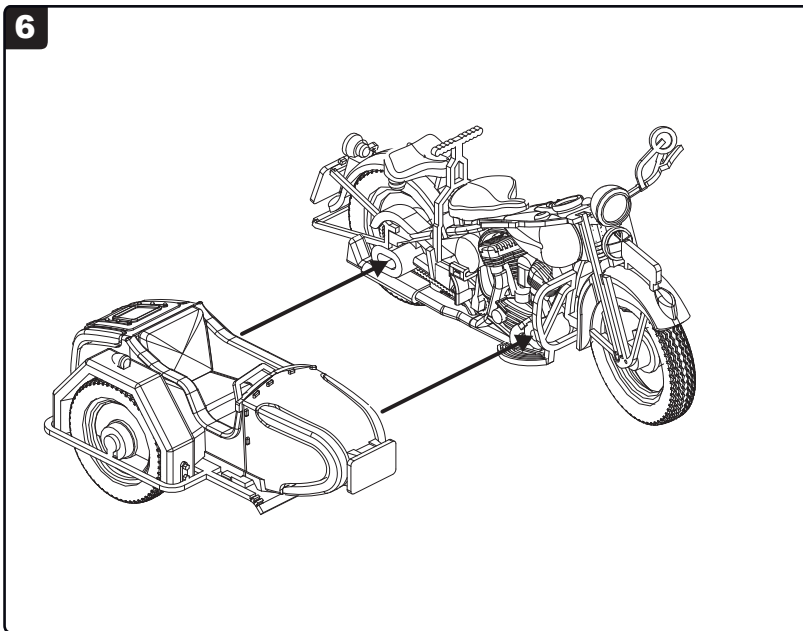
• Lijm resin en messing onderdelen met seconde-lijm (cyanoacrylaat).

• Zum verkleben verwenden Sie Cyanoacrylate.

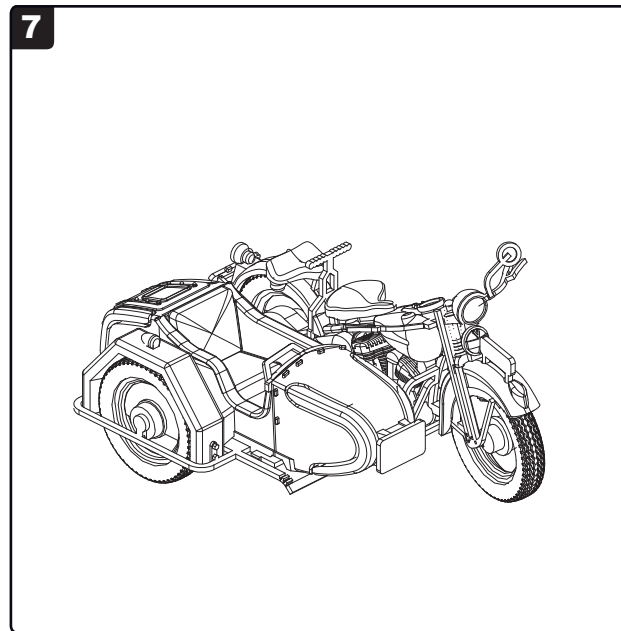
• Glue resin and brass parts with Cyanoacrylate.



6



7



8

