

Kleuren / Farben / colors:

H = Humbrol

R = Revell

***** = a lot

* = a little

NW - Natural Wood

• H110 / R86

BK - Black

• H33 / R8

SR - Scarlet Red

• H60 / R36

SV - Silver

• H191 / R90

KD - Khaki Drill

• H72 / R89

AT - Anthracite

• H33*** + H34* / R9

CB - Chocolate Brown

• H19***+H33*

• R330***+R302

WH - White

• H34 / R5

DG - Dark Grey

• H79 / R77

DB - Dark Brown

• H98 / R85***8*

• Mengverhoudingen:

*** = veel / viel / much

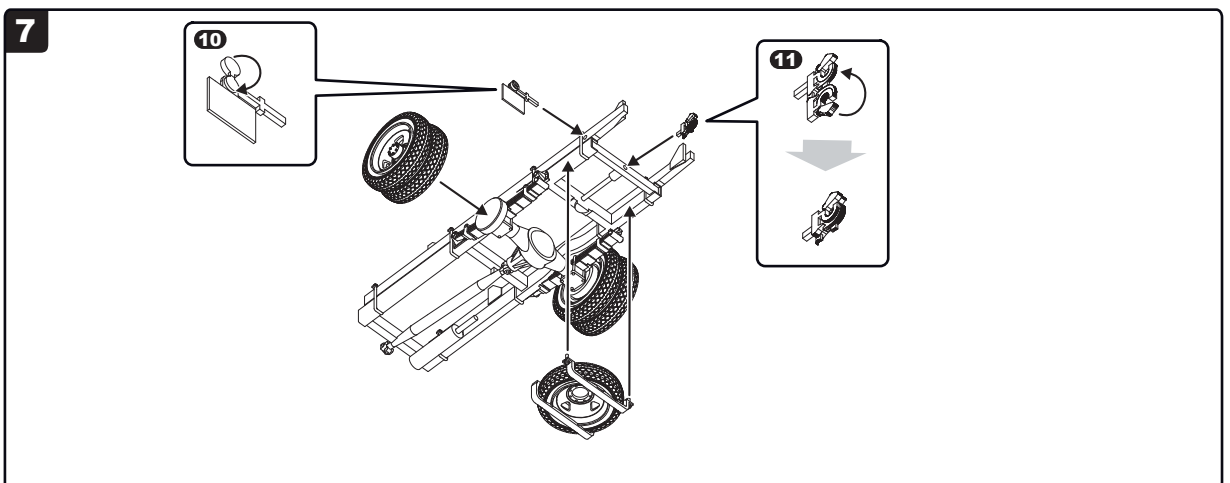
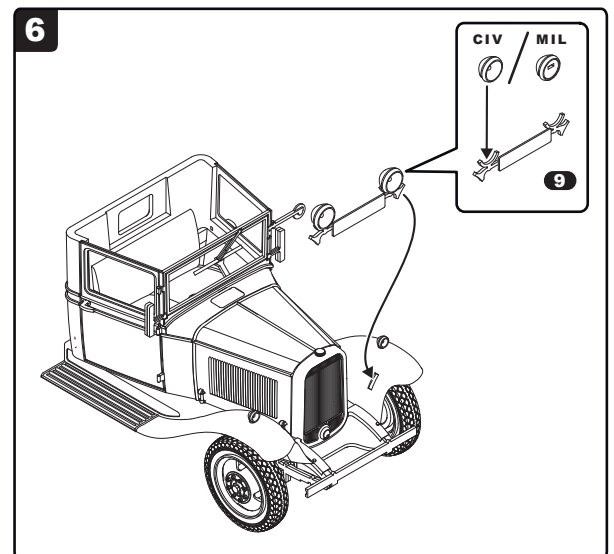
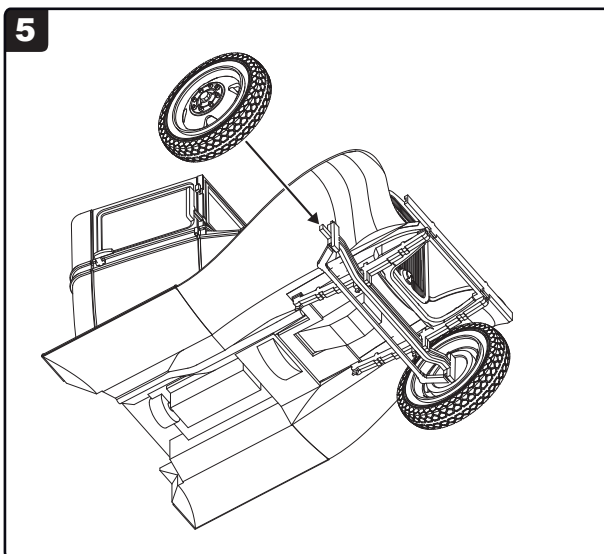
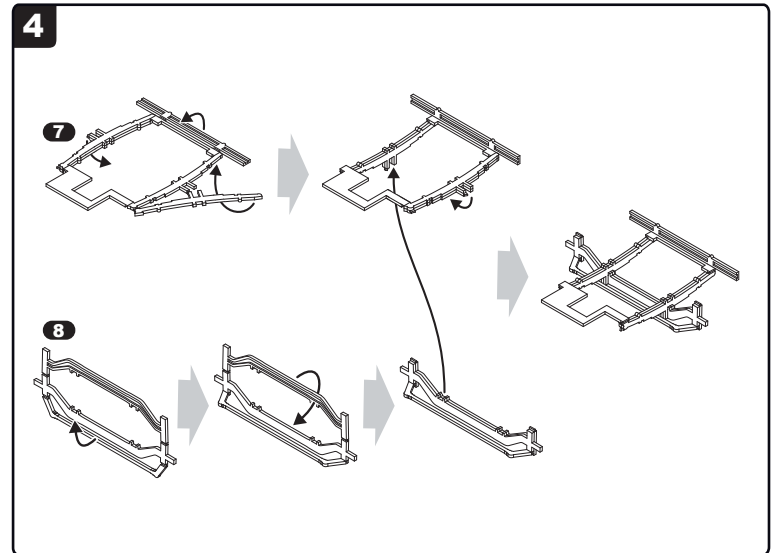
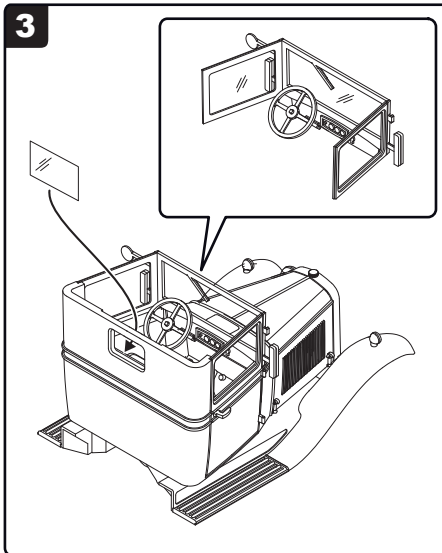
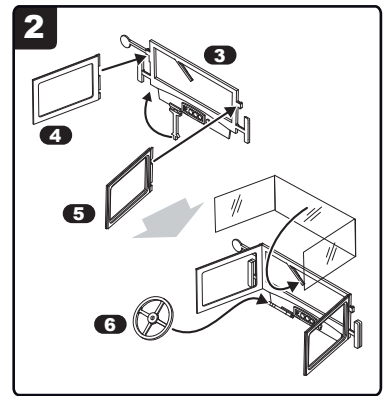
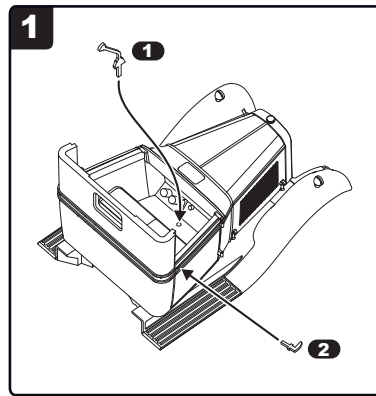
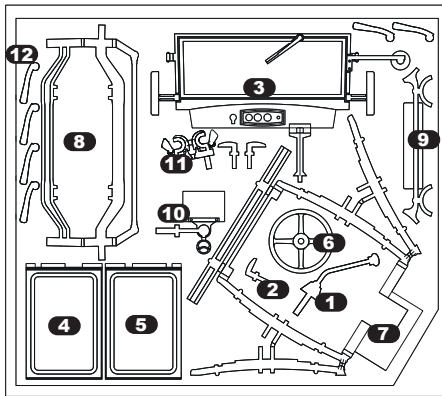
** = evenveel / gleich / equal

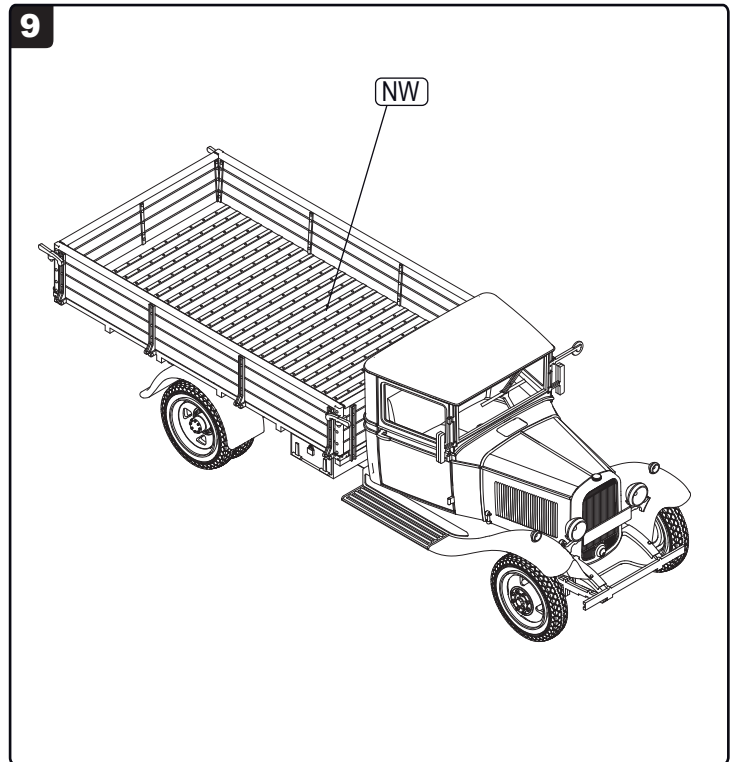
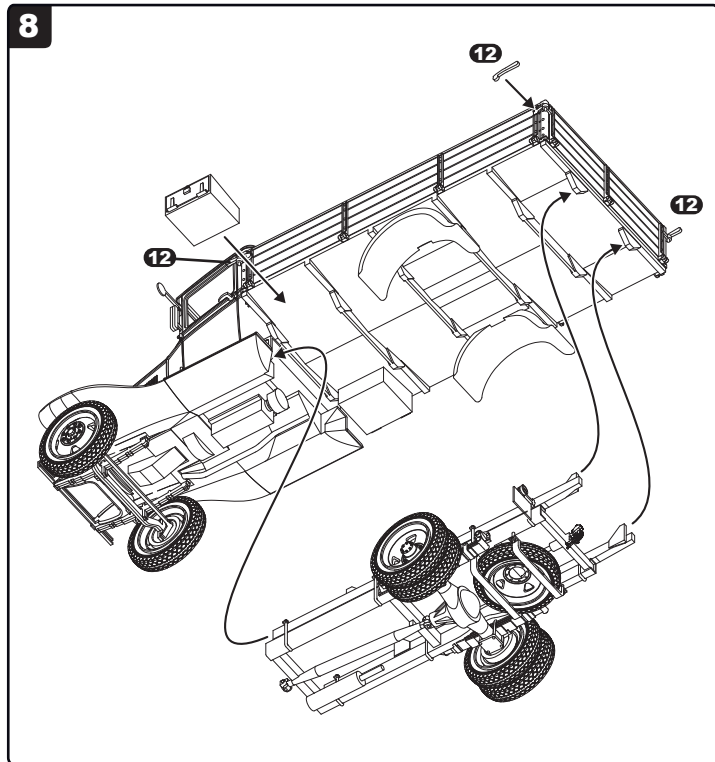
* = weinig / wenig / a little

• Lijm resin en messing onderdelen met seconde-lijm (cyanoacrylaat).

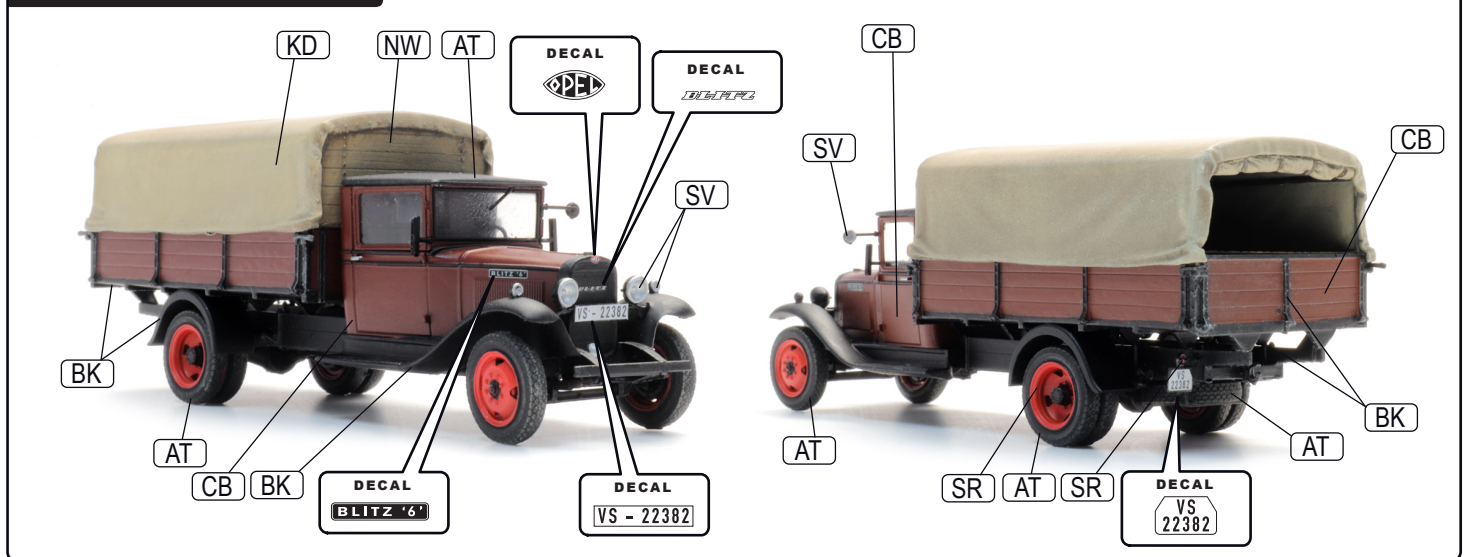
• Zum verkleben verwenden Sie Cyanoacrylate.

• Glue resin and brass parts with Cyanoacrylate.





A - Civilian version



B - Wehrmacht version

