

Kleuren / Farben / colors

H = Humbrol | R = Revell

H33	=	R9
H82	=	R30
H60	=	R31
H110	=	R85
H56	=	R91
H11	=	R99
H159	=	R68
H85	=	R9
H98	=	R85**+9**
H155	=	R42

Flecktarnung:

H105	=	R65
H62+113	=	R84
H33***+H62*	=	R9

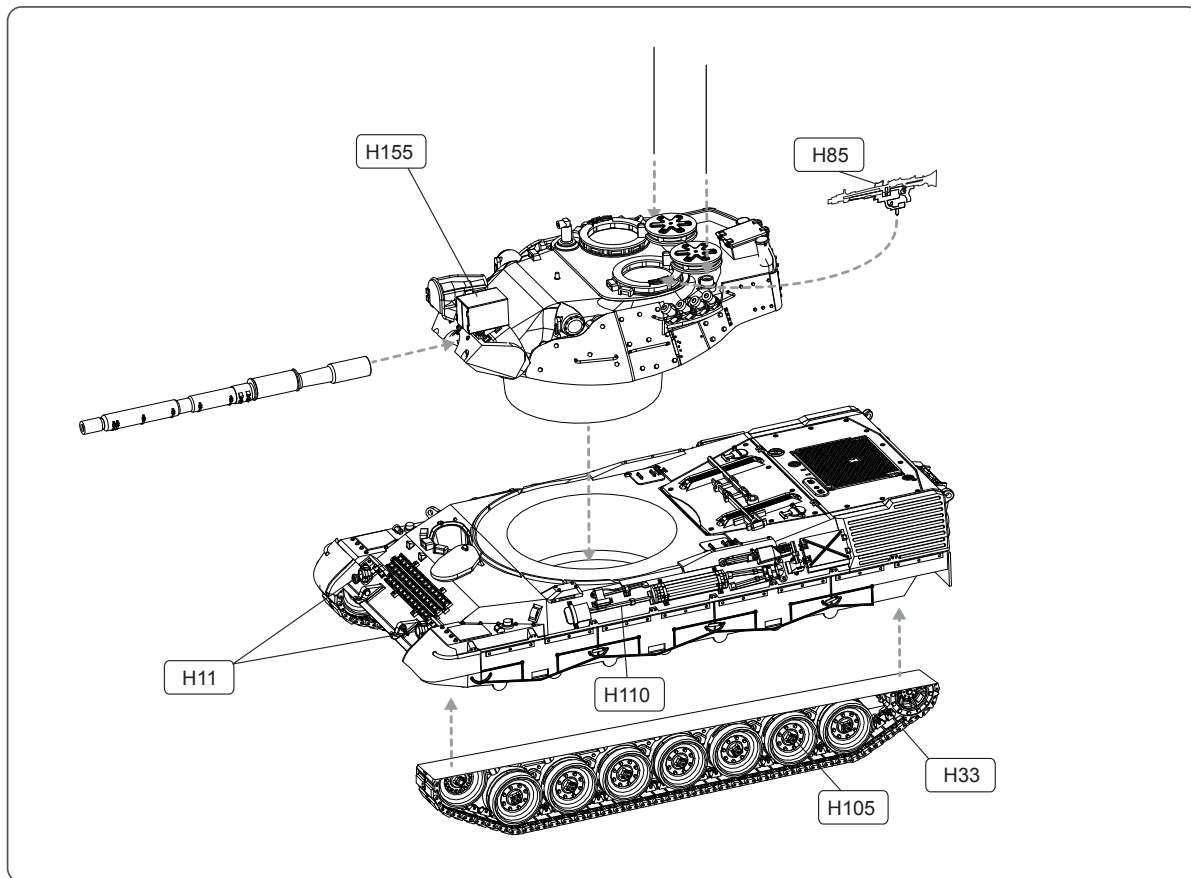
• Mengverhoudingen:

*** = veel / viel / much

** = evenveel / gleich / equal

* = weinig / wenig / a little

- Lijm resin en messing onderdelen met secundelijm (cyanoacrylaat).
- Zum verkleben verwenden Sie Cyanoacrylate.
- Glue resin and brass parts with Cyanoacrylate.



Kleuren / Farben / colors

H = Humbrol | R = Revell

H33	=	R9
H82	=	R30
H60	=	R31
H110	=	R85
H56	=	R91
H11	=	R99
H159	=	R68
H85	=	R9
H98	=	R85**+9**
H155	=	R42

Flecktarnung:

H105	=	R65
H62+113	=	R84
H33***+H62*	=	R9

• Mengverhoudingen:

*** = veel / viel / much

** = evenveel / gleich / equal

* = weinig / wenig / a little

• Lijm resin en messing onderdelen met secundelijm (cyanoacrylaat).

• Zum verkleben verwenden Sie Cyanoacrylate.

• Glue resin and brass parts with Cyanoacrylate.

