

Kleuren / Farben / colors:

H = Humbrol

R = Revell

***** = a lot

* = a little

DG - Dark Grey

• H79 / R77

NW - Natural Wood

• H110 / R86

BK - Black

• H30 / R8

WH - White

• H34 / R5

SR - Scarlet Red

• H60 / R36

SV - Silver

• H191 / R90

ME - Metal

• H53 / R68

RB - Rust Brown

• H113 / R37***** + R8*

DB - Dark Blue

• H25 / R51

YW - Yellow

• H24 / R15

LR - Leather

• H62 / R85

• Mengverhoudingen:

*** = veel / viel / much

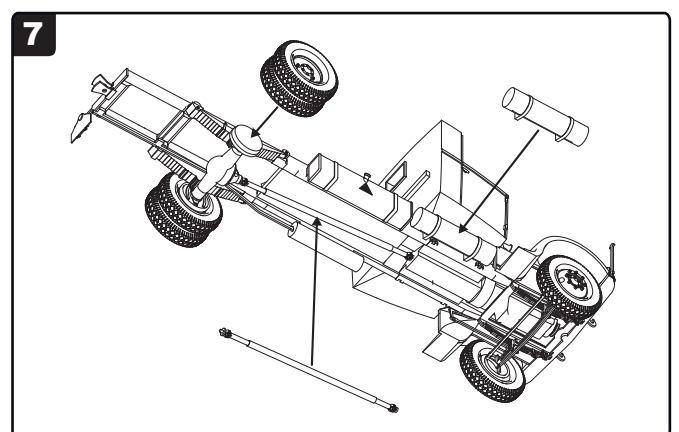
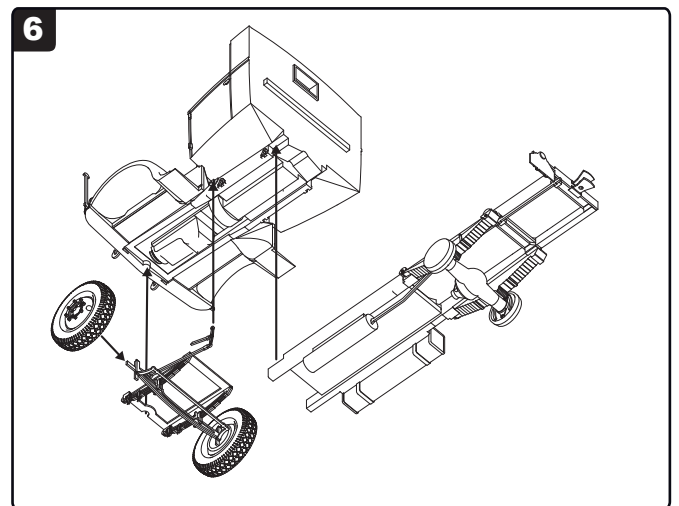
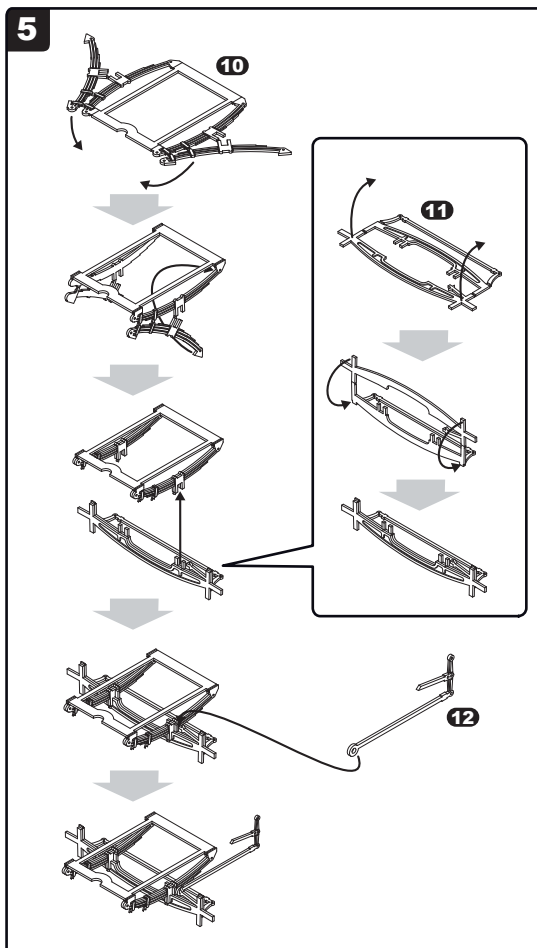
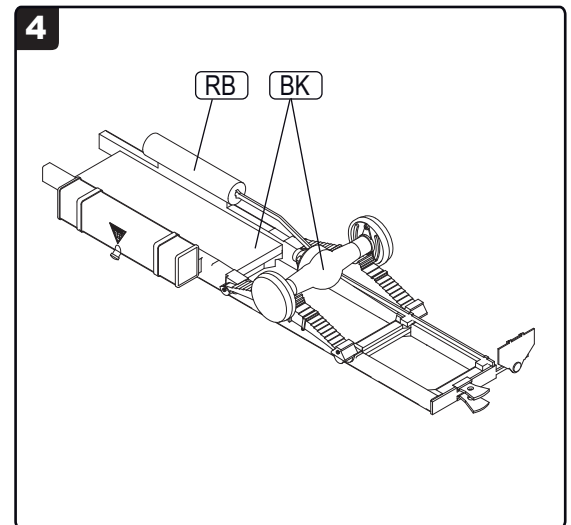
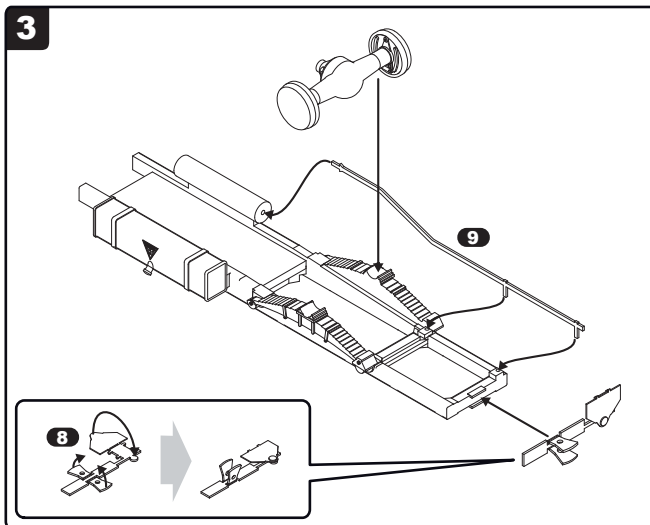
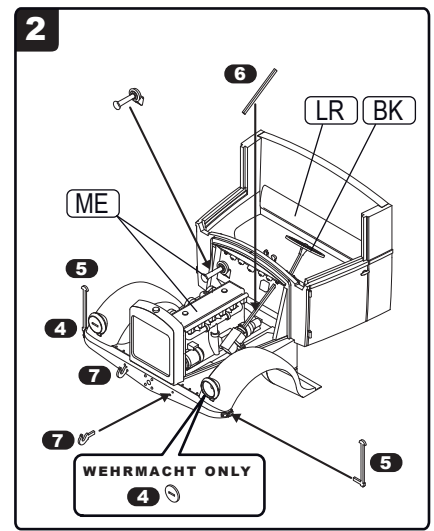
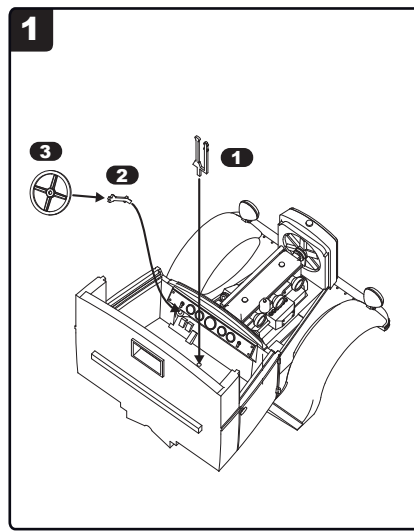
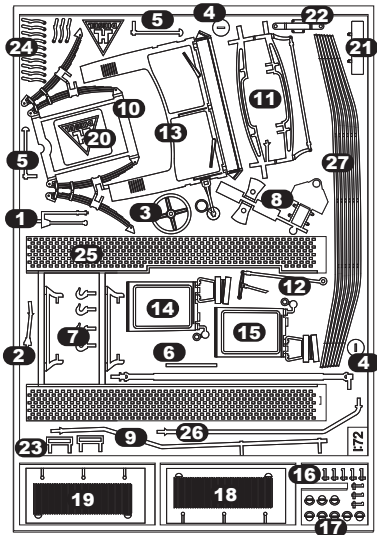
** = evenveel / gleich / equal

* = weinig / wenig / a little

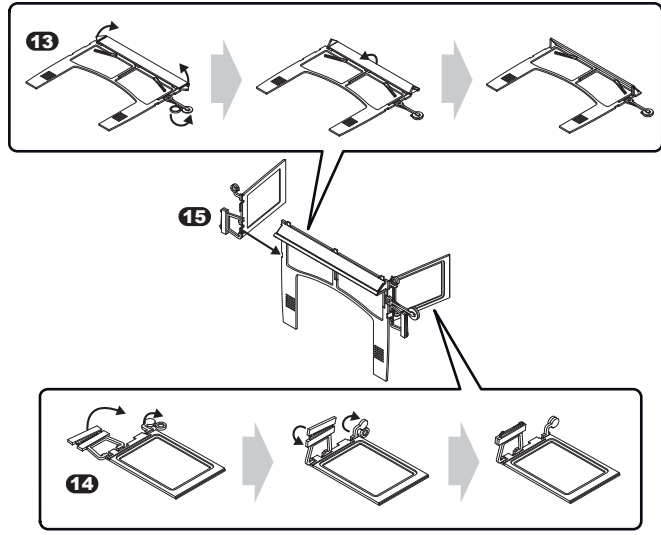
• Lijm resin en messing onderdelen met seconde-lijm (cyanoacrylaat).

• Zum verkleben verwenden Sie Cyanoacrylate.

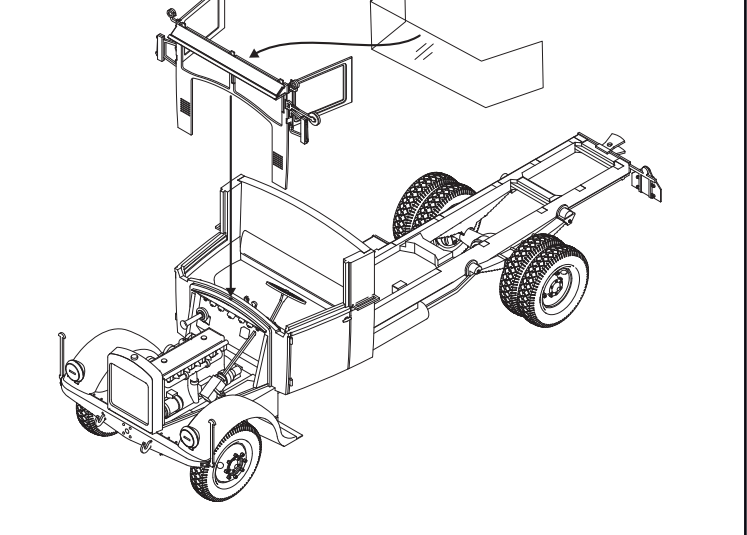
• Glue resin and brass parts with Cyanoacrylate.



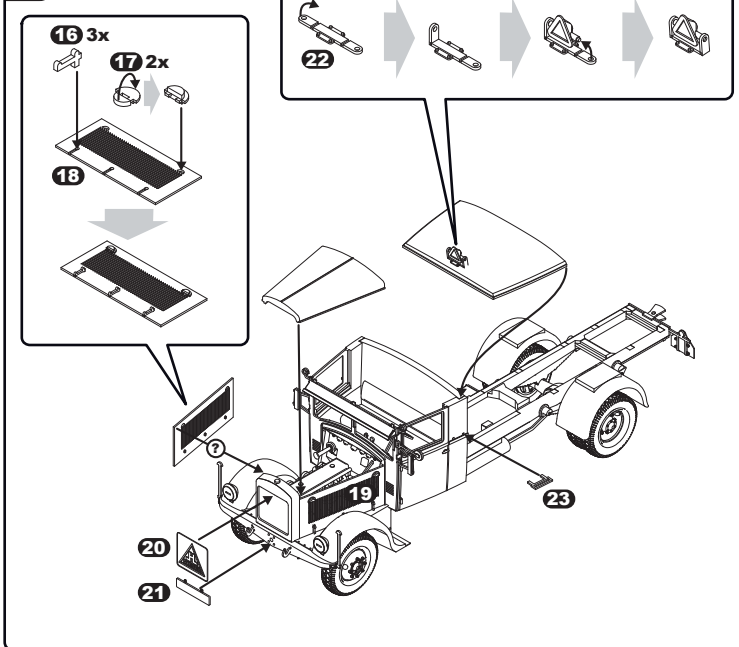
8



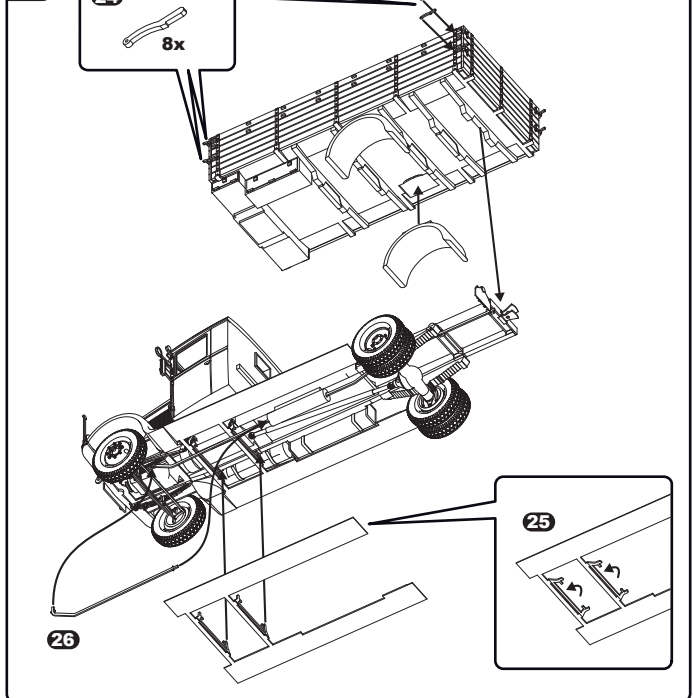
9



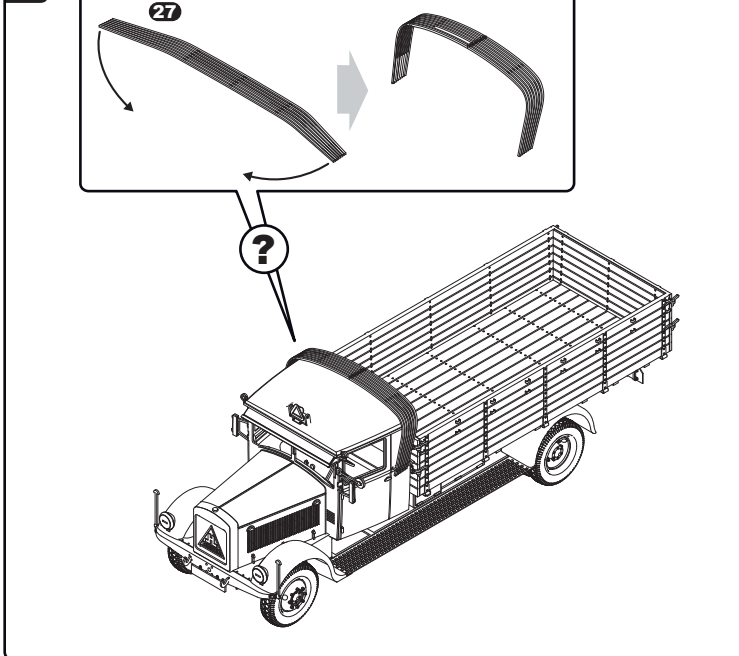
10



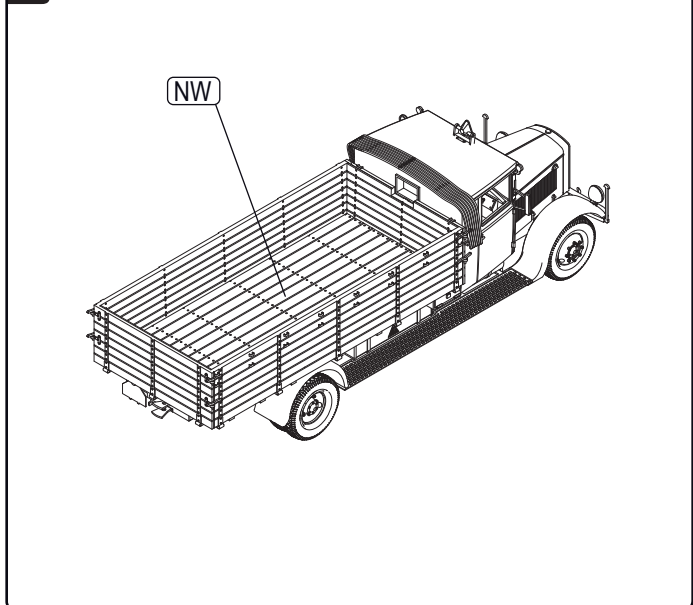
11



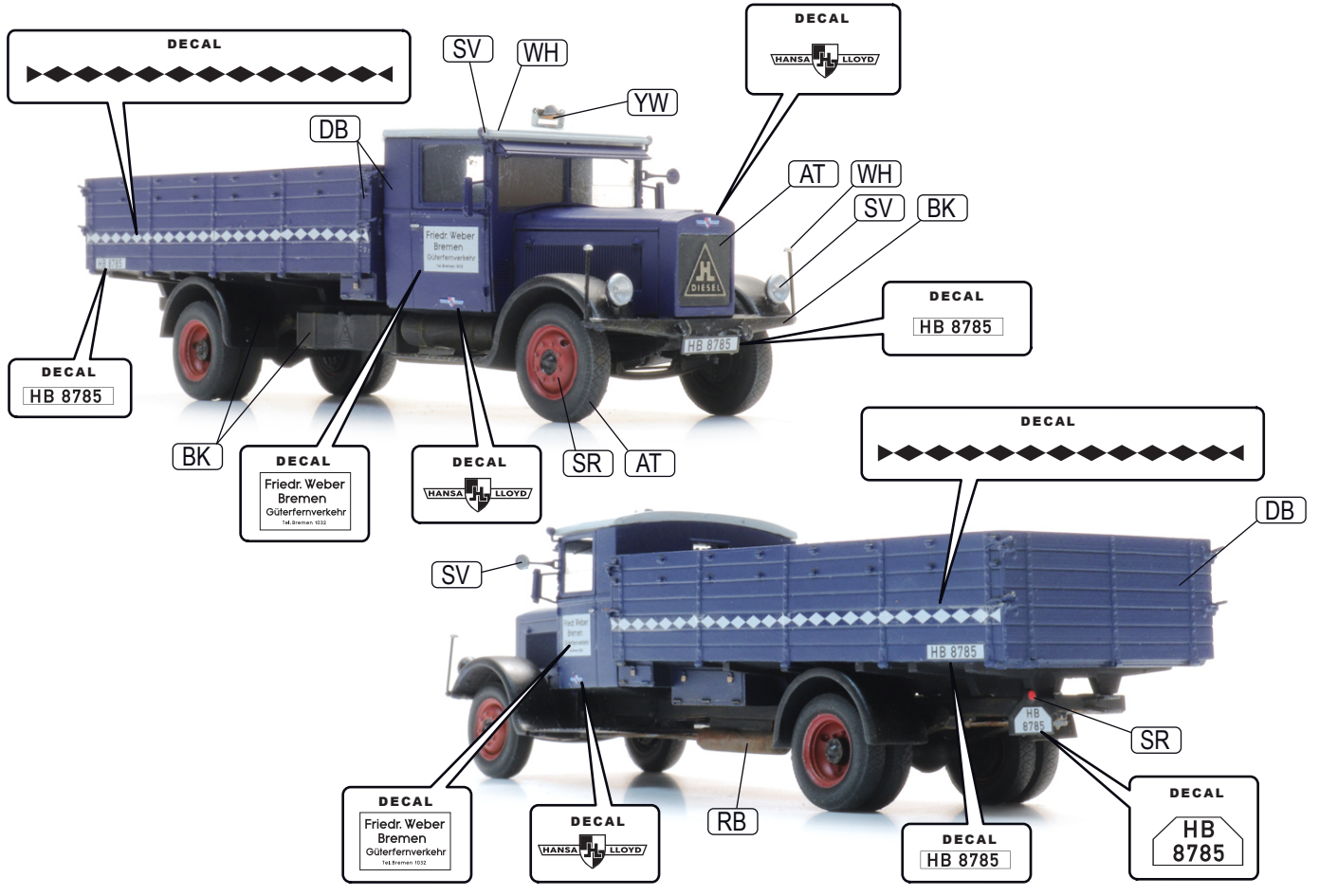
12



13



A - Civilian version



B - Wehrmacht version

