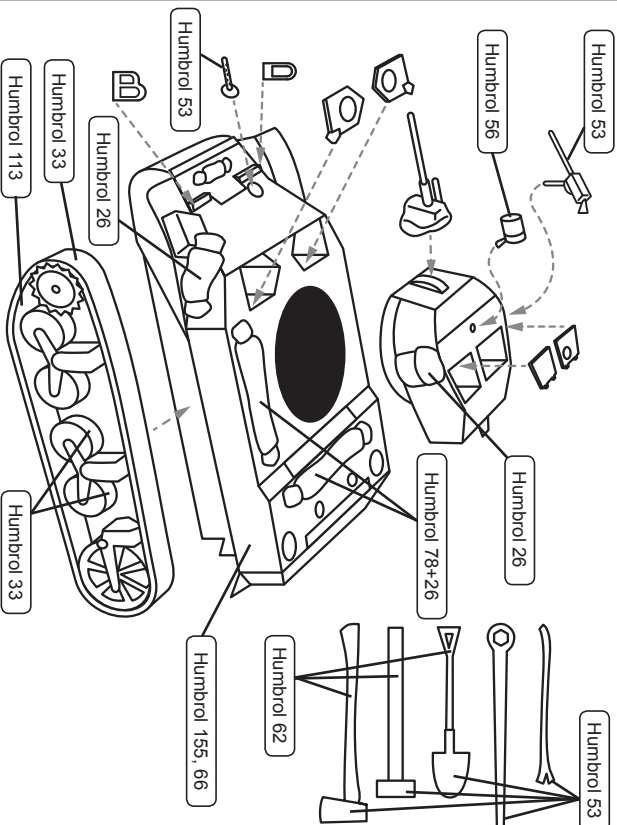


Kleuren/Farben/colors:
• Humbrol 26, 33, 53, 56, 62,
66, 78, 113, 155

- Lijm resin en messing
onderdelen met seconde-
lijm (cyanoacrylaat).
- Zum verkleben verwenden
Sie Cyanoacrylate.
- Glue resin and brass parts
with Cyanoacrylate.

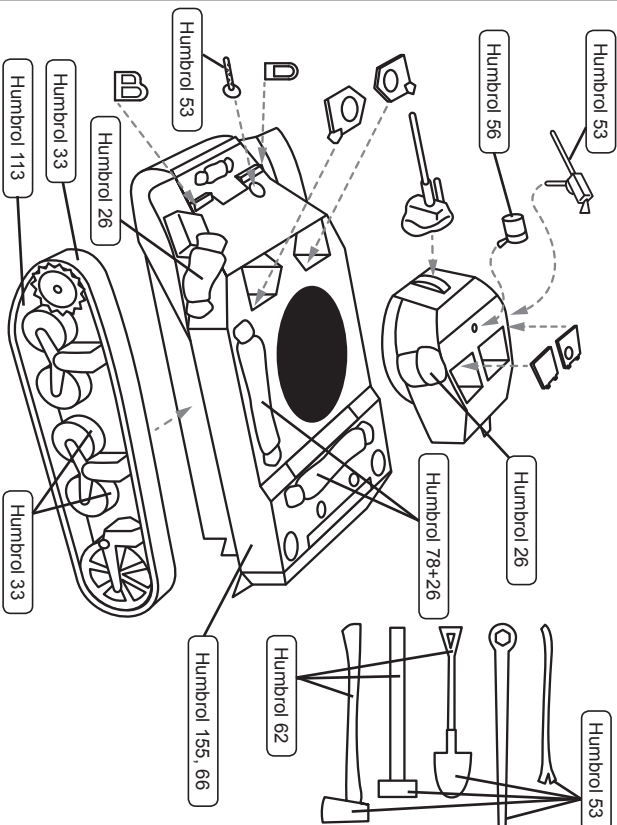
Product made in Holland
© ARTITEC 2012
1:87 | H0



Kleuren/Farben/colors:
• Humbrol 26, 33, 53, 56, 62,
66, 78, 113, 155

- Lijm resin en messing
onderdelen met seconde-
lijm (cyanoacrylaat).
- Zum verkleben verwenden
Sie Cyanoacrylate.
- Glue resin and brass parts
with Cyanoacrylate.

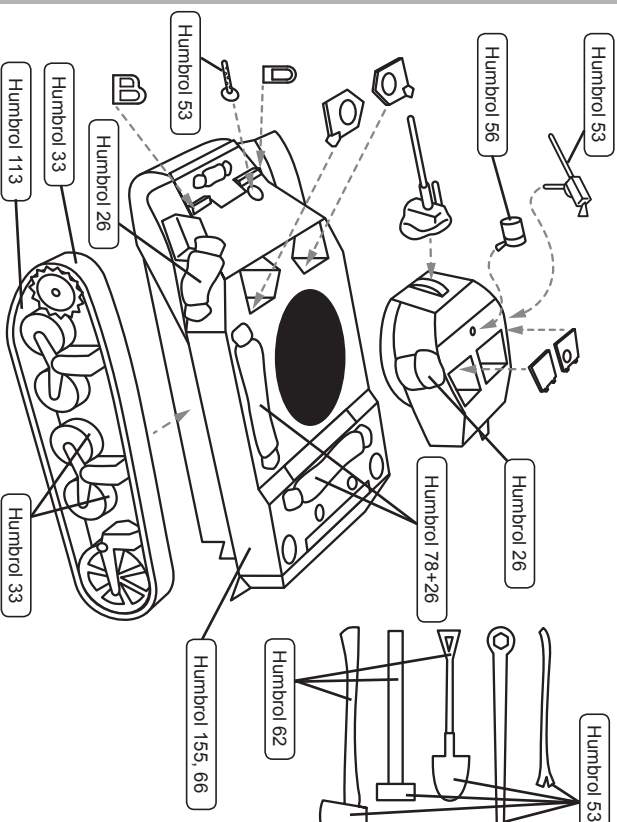
Product made in Holland
© ARTITEC 2012
1:87 | H0



Kleuren/Farben/colors:
• Humbrol 26, 33, 53, 56, 62,
66, 78, 113, 155

- Lijm resin en messing
onderdelen met seconde-
lijm (cyanoacrylaat).
- Zum verkleben verwenden
Sie Cyanoacrylate.
- Glue resin and brass parts
with Cyanoacrylate.

Product made in Holland
© ARTITEC 2012
1:87 | H0



Kleuren/Farben/colors:
• Humbrol 26, 33, 53, 56, 62,
66, 78, 113, 155

- Lijm resin en messing
onderdelen met seconde-
lijm (cyanoacrylaat).
- Zum verkleben verwenden
Sie Cyanoacrylate.
- Glue resin and brass parts
with Cyanoacrylate.

Product made in Holland
© ARTITEC 2012
1:87 | H0

